

Q-Siren®

Siren



FEATURES

- The sound of the Q-Siren is a registered trademark of Federal Signal Corporation
- The distinct sound provides recognizable long-distance warning
- Utilizes a unique clutch design that provides a longer coast-down sound while reducing the amp draw
- Beautifully streamlined and polished electro-mechanical siren produces 123 decibels at 10-feet
- Available in traditional Chrome and Black Chrome
- Three-year warranty

An Iconic Fire Truck Siren

It's not a fire truck unless it's got a Q-Siren. With more than 50 years of fire service tradition and history, the Federal Signal Q-Siren® (model Q2B®) is a beautifully streamlined, chrome-plated siren designed to provide unparalleled reliability for long-life operation. When mounted on a fire truck, the Q-Siren delivers a powerful warning sound, more than any other electromechanical siren.

The Q-Siren is available in traditional chrome and black chrome. The traditional chrome models are a compliment to the fire truck's chrome bumper finish while the black chrome is ideal for blacked out fire trucks.

Longer Coast-Down Sound

A heavy-duty coaster clutch is standard on Q2B models. The unique coaster clutch design enables the siren to deliver a longer coast-down sound once power is removed to reduce battery drain. The "worry-free" clutch is subject to very little wear and requires no service attention or adjustments. Use the standard electric brake to silence the siren quickly.



FS TECHNOLOGY



Q-Siren.
Sound

The distinctive sound of the Q-Siren electro-mechanical siren is a registered trademark owned by Federal Signal Corporation.

Pedestal or Recessed Mounting

The Q-Siren is available in two Q2B models. The Q2B-012PSD and Q2B-P-BLK comes with a pedestal for bumper mounting and the Q2B-012NNSD and Q2B-NN-BLK are designed for recessed mounting in the bumper.

For flat and curved apparatus bumpers, a special bracket, the Q-MT, is available. This rugged, durable mount is easy to install. Constructed of tough 3/8-inch steel, the Q-MT design protects the siren from the impact of rough roads.

Hands-Free Operation

For increased convenience, the Q2B-SWKIT foot switch kit is also available. The kit comes with everything necessary to wire a foot switch to any Q2B model enabling the operator to power the siren "hands-free."



The Q-MT mount is designed for flat or curved bumpers on fire apparatus.

HOW TO ORDER

Q2B-012NNSD	Chrome, recess mount
Q2B-012PSD	Chrome, pedestal mount
Q2B-NN-BLK	Black Chrome, recess mount
Q2B-P-BLK	Black Chrome, pedestal mount

ACCESSORIES (OPTIONAL)

Q-MT	Kit, Q2B, bracket for recess mounting Q2B siren
Q2B-SWKIT	Kit, Q2B, Solenoid and Foot Switch

SPECIFICATIONS

INPUT VOLTAGE	12 Vdc
INPUT CURRENT, OPERATING	100 A
OPERATING TEMP.	-22° to +149° F (-30° to +65° C)
SOUND OUTPUT	123 dB @ 10-ft

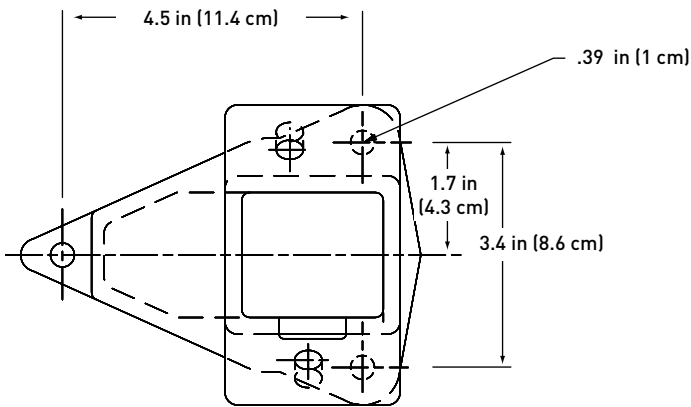
PHYSICAL SPECIFICATIONS

HEIGHT	10.3 in (26.2 cm)
WIDTH	13.6 in (34.5 cm)
DIAMETER	9.9 in (25.1 cm)

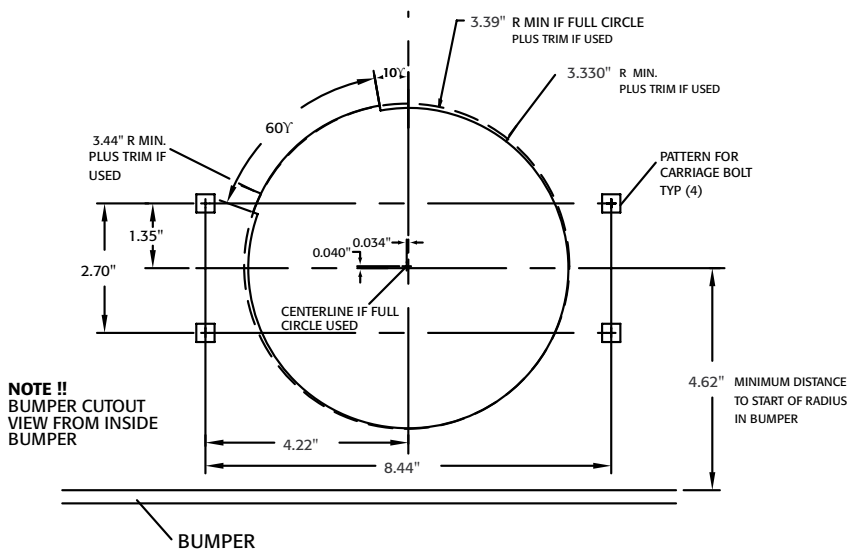
SHIP WEIGHT

49.0 lb (23.0 kg)

MOUNTING DIAGRAM FOR PEDESTAL MOUNT



BUMPER CUTOUT FOR Q-SIREN (Q-MT)



Warning: Sirens and Speakers may produce LOUD sounds necessary to request the right-of way. Sirens and Speakers may cause hearing damage. Wear hearing protection. Q-Siren and Q2B are trademarks of Federal Signal Corporation. The distinctive sound of the Q2B electro-mechanical siren is a registered trademark owned by Federal Signal Corporation.