

INTRODUCING THE NEW, REDESIGNED PA4000 SIREN

LEGACY PA4000 SIREN TO BE DISCONTINUED



FEATURES

- 100/200 W siren and light controller with PA and noise-canceling microphone
- Flush mount controller with remote amplifier
- New controller is same size and hole pattern as legacy PA4000 controller
- Convergence Network Configuration Software allows for easy customization of siren and light controls
- Siren ships out with default PA4000 programming
- Integrated dual-tone capability when used with (2) speakers
- Integrated Rumbler® traffic clearing capability
- Optional FS Vehicle Integration/On-Board Diagnostics Integration (OBDII)
- Siren tones, PA, Radio Rebroadcast and Air Horn
- Library of selectable siren tones includes SmartSiren®, Unitrol™, and Powercall siren tones
- Horn Ring Transfer and Park Kill
- (7) programmable inputs and (12) programmable solid-state relay outputs
- (2) FS Convergence Network ports
- Standard voice messages available in English, Spanish, and French Canadian to broadcast alerts. Custom voice messages available for an additional fee
- Five-year warranty

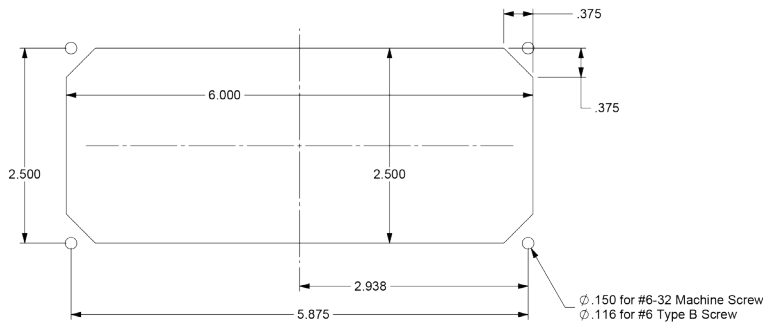
Federal Signal is pleased to announce the release of the new, redesigned PA4000 Siren. The new PA4000-200 is a compact, programmable siren and light controller with a flush mount control head. PA4000 is packed with features such as dual-tone and integrated Rumbler® traffic clearing capability along with optional On-Board Diagnostics (OBD) integration. PA4000 is easy to install and incorporates FS Convergence Network technology to provide a high level of customizable control capability. Convergence Network Configuration software is available as a download from the FS website making it easy to program one vehicle – or an entire fleet – from your laptop.

The legacy PA4000 model number is discontinued and no longer available to order.

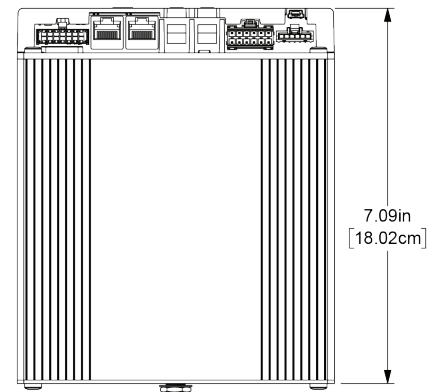
SPECIFICATIONS

AUDIO OUTPUT POWER	200 W
INPUT VOLTAGE	11/28 Vdc
NOMINAL OUTPUT VOLTAGE	64 V peak-to-peak
STANDBY CURRENT	< 0.1 A
INPUT CURRENT, OPERATING	16 A
OPERATING TEMPERATURE	-40° to +176° F (-40° to +80°C)
POLARITY	Negative ground only
FREQUENCY RANGE	182 to 1600 Hz
AMPLIFIER SPECIFICATIONS	
HEIGHT	2.5 in (6.4 cm)
WIDTH	6.0 in (15.2 cm)
LENGTH	7.0 in (17.8 cm)
CONTROL HEAD SPECIFICATIONS	
HEIGHT	2.9 in (7.4 cm)
WIDTH	6.3 in (16 cm)
LENGTH	1.0 in (2.5 cm)
SHIP WEIGHT	6.0 lb (2.7 kg)

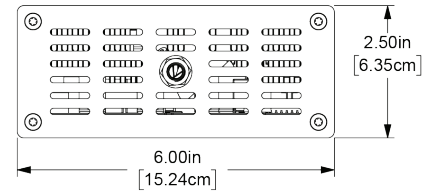
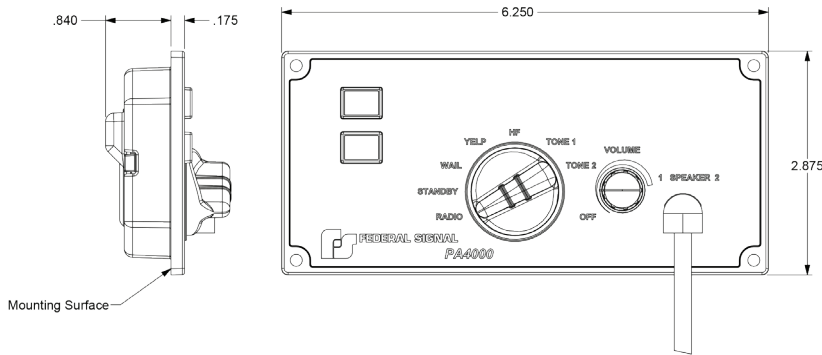
Recommended Panel Cutout



Amplifier



Controller



HOW TO ORDER

MODEL	DESCRIPTION	2022 LIST PRICE (US \$)
PA4000-200	100/200 W programmable siren, flush mount controller, remote amplifier	\$856.00
RBKIT1*	Single Rumbler woofer	350.00
RBKIT2*	Pair of Rumbler woofers	593.00
ES100C	Speaker, DynaMax/ES100C, 100 W, high output, compact, Class A	383.00

* Vehicle-specific Rumbler brackets sold separately

FS TECHNOLOGIES



DISCONTINUED MODEL

DISCONTINUED MODEL	DESCRIPTION
PA4000	100/200 W, flush mount control, remote amplifier

TIMING

The new PA4000-200 is available to order today.

The discontinued PA4000 is no longer available to order.