

Safety Message to Installers of Warning Light Equipment

⚠ WARNING

People's lives depend on your proper installation and servicing of Federal Signal products. It is important to read and follow all instructions shipped with this product and the original product. In addition, listed below are some other important safety instructions and precautions you should follow:

- To properly install the lighting system, you must have a good understanding of automotive systems, along with proficiency in the installation and use of safety warning equipment.
- Do not install equipment or route wiring in the deployment path of an airbag.
- If a vehicle seat is temporarily removed, verify with the vehicle manufacturer if the seat needs to be recalibrated for proper airbag deployment.
- You should frequently inspect the light system to ensure that it is operating properly and that it is securely attached to the vehicle.
- When drilling into a vehicle structure, be sure that both sides of the surface are clear of anything that could be damaged.
- Refer to the instructions packed with related products for additional precautions and information.
- File these instructions in a safe place and refer to them when maintaining and/or reinstalling the product.
- Do not stare directly into the lights at a close range or permanent damage to your eyesight may occur.

Failure to follow all safety precautions and instructions may result in property damage, serious injury, or death.

Mounting Bracket for MicroPulse®

This publication has instructions for using the MPSM6-DU15RS Mounting Kit to mount six Micropulse 6 lighthoods to the rear spoiler of the Dodge Durango.

NOTE: For electrical installation instructions, refer to the Installation and Maintenance Instructions packed with the lighthouse.

Unpacking the Kit

After unpacking the kit, inspect it for damage that may have occurred in transit. If it has been damaged, do not attempt to install or operate it. File a claim immediately with the carrier, stating the extent of damage. Carefully check all envelopes, shipping labels, and tags before removing or destroying them. Ensure that the parts in the Kit Contents List are included in the package. Disposal of all shipping materials must be carried out in accordance with national and local codes and standards. If you are missing any parts, contact Customer Support at 1-800-264-3578, 7 a.m. to 5 p.m., Monday through Friday (CT).

Table 1 Kit contents

| Qty. | Description | Part Number |
|------|---|--------------|
| 1 | Bracket, Spoiler, Durango, Driver Side | 861301282-DS |
| 1 | Bracket, Spoiler, Durango, Passenger Side | 861301282-PS |
| 6 | Screw, Hex Washer HD 1/4" | 7011183-12 |
| 6 | Lockwasher, Stainless steel, 1/4" | 7074A016 |
| 12 | Screw, Machine 6-32, Phillips Pan-Head, Stainless steel | 7000491-08 |
| 12 | Nut, Hex Ext, Keps, 6-32, Stainless steel | 7058A046 |

Installing the Brackets

⚠ WARNING

AIRBAG DEPLOYMENT: Do not install equipment or route wiring in the deployment path of an airbag. Failure to observe this warning will reduce the effectiveness of the airbag or potentially dislodge the equipment, causing serious injury or death.

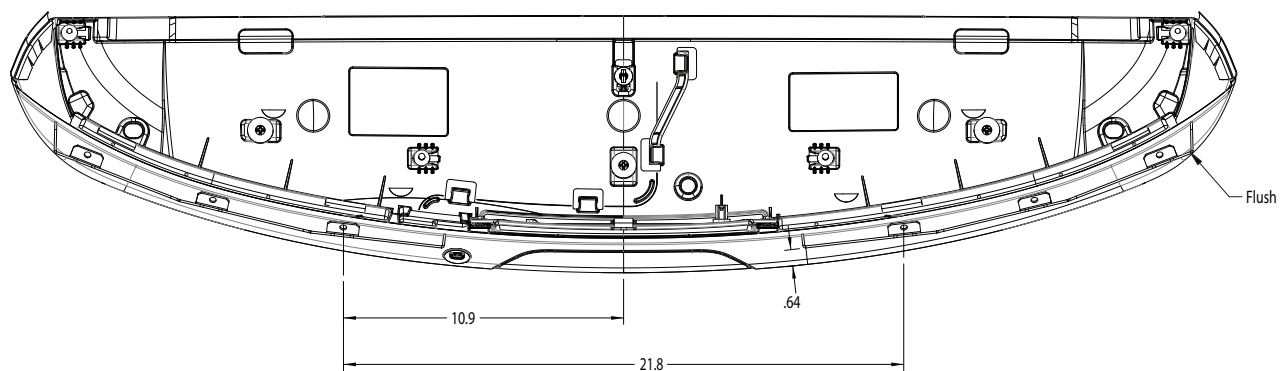
IMPORTANT: Plan all cable routing before the installation.

NOTICE

DRILLING PRECAUTION: When drilling holes, check the area you are drilling into to be sure you do not damage vehicle components. All drilled holes should be deburred and all sharp edges should be smoothed. All wire routings going through drilled holes should be protected by a grommet or convolute/split loom tubing.

Following the vehicle manufacturer instructions, remove the rear spoiler assembly.

Figure 1 Location and dimensions of bracket



To mount the lighthead:

1. Position the brackets as shown, and mark the 6 mounting holes. With a 3/16" drill, drill the mounting holes.
2. Mount the brackets with 1/4" Hex Head screws and 1/4" lockwashers.
4. Install the lightheads (not included) to both brackets, using the 6-32 screws and nuts.
5. Reinstall the spoiler.
6. Complete wiring per the instructions supplied with the lightheads.

⚠ WARNING

LIGHT HAZARD: To be an effective warning device, an emergency warning system produces bright light that can be hazardous to your eyesight when viewed at a close range. Do not stare directly into the lights at a close range or permanent damage to your eyesight may occur.

7. Test the lights for proper operation.

Testing the Installation

⚠ WARNING

SOUND HAZARD: All effective sirens and horns produce loud sounds (120 dB) that may cause permanent hearing loss. Always minimize your exposure to the sound of the siren and horn and wear hearing protection. Do not sound the siren or horn indoors or in enclosed areas where you and others will be exposed to the sound.

⚠ WARNING

LIGHT HAZARD: To be an effective warning device, an emergency warning system produces bright light that can be hazardous to your eyesight when viewed at a close range. Do not stare directly into the lights at a close range or permanent damage to your eyesight may occur.

After testing the flasher, test the emergency warning system to ensure that it is operating properly. Also test all vehicle functions, including horn operation, vehicle safety functions, and vehicle lighting systems to ensure proper operation. Ensure that the installation has not affected the vehicle operation or changed any vehicle safety functions or circuits. After testing is complete, provide a copy of these instructions to the instructional staff and all operating personnel.

Do not test the sound and light system of the vehicle while driving. Operating the vehicle warning systems may pose a hazard to the operator and other drivers if the systems do not function as expected. Test the vehicle only in a controlled environment.

Getting Technical Support

For technical support, please contact:
Federal Signal Corporation
Service Department
Phone: 1-800-433-9132
Fax: 1-800-343-9706
Email: empserviceinfo@fedsig.com

Getting Repair Service

The Federal Signal factory provides technical assistance with any problems that cannot be handled locally.

Any units returned to Federal Signal for service, inspection, or repair must be accompanied by a Return Material Authorization (RMA). Obtain a RMA from a local Distributor or Manufacturer's Representative.

Provide a brief explanation of the service requested, or the nature of the malfunction.

Address all communications and shipments to the following:

Federal Signal Corporation
Service Department
2645 Federal Signal Dr.
University Park, IL 60484-3167

Ordering Replacement Parts

To order replacement parts, call Customer Support at 1-800-264-3578, 7 AM to 5 PM, Monday through Friday (CT) or contact your nearest distributor.



2645 Federal Signal Drive, University Park, IL 60484-3167
Phone: 708-534-3400 • 800-264-3578 • Fax: 800-682-8022
www.fedsig.com

© Copyright 2016 Federal Signal Corporation
Dodge is registered trademarks of FCA US LLC.