

2562211 Rev A2 0420

Safety Message to Installers and Service Personnel of Warning Light Equipment

▲ WARNING

People's lives depend on your proper installation and servicing of Federal Signal products. It is important to read and follow all instructions shipped with this product and the original product. Listed below are some other important safety instructions and precautions you should follow:

- To properly install the equipment described in this instruction sheet, you must have a good understanding of automotive electrical procedures and systems, along with proficiency in the installation and use of safety warning equipment.
- When drilling into a vehicle structure, ensure that both sides of the surface are clear of anything that could be damaged.
- Locate the Backup Alarm so it will operate safely under all conditions. The location must provide protection from impact and adverse weather conditions while allowing unobstructed sound projection to the target hazard area.
- All effective Backup Alarms produce loud sounds which may cause, in certain situations, permanent hearing loss. You should take appropriate precautions such as wearing hearing protection.
- Ensure that the vehicle's supply voltage is within the voltage rating specified on the Backup Alarm.
- Frequently inspect the Backup Alarm system to ensure that it is operating properly and that it is securely attached to the vehicle.
- File these instructions in a safe place and refer to them when maintaining and/or reinstalling the product.

Failure to follow all safety precautions and instructions may result in property damage, serious injury, or death to you or others you are seeking to protect.

Installing the Switch Assembly

To install the switch assembly:

1. Select a mounting location for the switch, either at the reverse gear linkage or shift lever, so that the outer end of the switch actuation arm moves a minimum of one inch when the vehicle is shifted into reverse. Contact with the actuating arm should be made approximately 1-1/2 inches from its end.
2. Using the switch as a template, scribe drill position marks on the mounting surface.

NOTICE

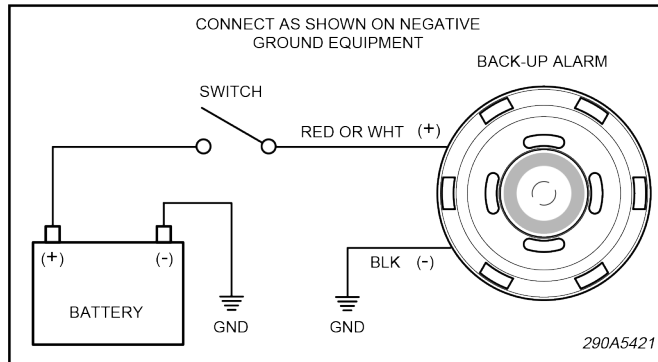
DRILLING PRECAUTIONS: When drilling holes, check the area into which you are drilling to ensure that you do not damage vehicle components. All drilled holes should be deburred, and all sharp edges should be smoothed. All wire routing going through drilled holes should be protected by a grommet or convolute/split-loom weaving.

3. Drill mounting holes at the previously scribed drill position marks.

Installation and Programming Instructions

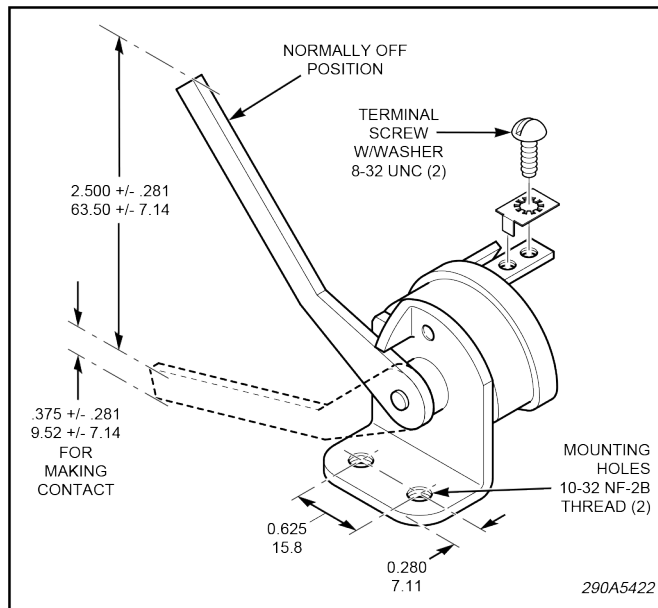
4. Route user-supplied wires (minimum 18 AWG) to the switch location, one from the positive terminal of the back-up alarm and the other from a fused power source. See Figure 1.

Figure 1 Wiring the Switch



5. Connect the wires to the #8-32 screw terminals on the switch. See Figure 2.

Figure 2 Connecting to Screw Terminals



6. Secure the switch at the mounting location with user-supplied hardware. Ensure that all fasteners are properly tightened.
7. Test the backup alarm for proper operation.

Getting Technical Support

For technical support, please contact:

Federal Signal Corporation
Service Department
Phone: 1-800-433-9132
Email: empserviceinfo@fedsig.com

Getting Repair Service

The Federal Signal factory provides technical assistance with any problems that cannot be handled locally. Any product returned to Federal Signal for service, inspection, or repair must be accompanied by a Return Material Authorization (RMA). Obtain a RMA from a local Distributor or Manufacturer's Representative. Provide a brief explanation of the service requested, or the nature of the malfunction.

Address all communications and shipments to the following:

Federal Signal Corporation
Service Department
2645 Federal Signal Dr.
University Park, IL 60484-3167

Limited Warranty

This product is subject to and covered by a limited warranty, a copy of which can be found at www.fedsig.com/SSG-Warranty. A copy of this limited warranty can also be obtained by written request to Federal Signal Corporation, 2645 Federal Signal Drive, University Park, IL 60484, email to info@fedsig.com or call +1 708-534-3400.

This limited warranty is in lieu of all other warranties, express or implied, contractual or statutory, including, but not limited to the warranty of merchantability, warranty of fitness for a particular purpose and any warranty against failure of its essential purpose.



2645 Federal Signal Drive
University Park, Illinois 60484-3167

www.fedsig.com

Customer Support

Police/Fire-EMS: 800-264-3578 • +1 708 534-3400

Work Truck: 800-824-0254 • +1 708 534-3400

Technical Support: 800-433-9132 • +1 708 534-3400

© Copyright 2005-2020 Federal Signal Corporation