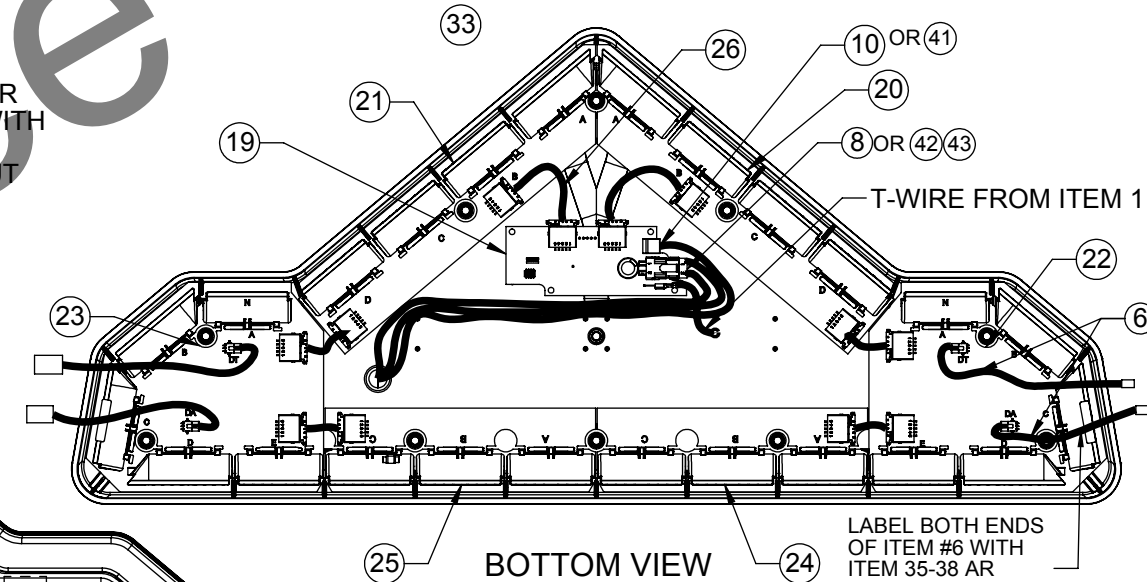
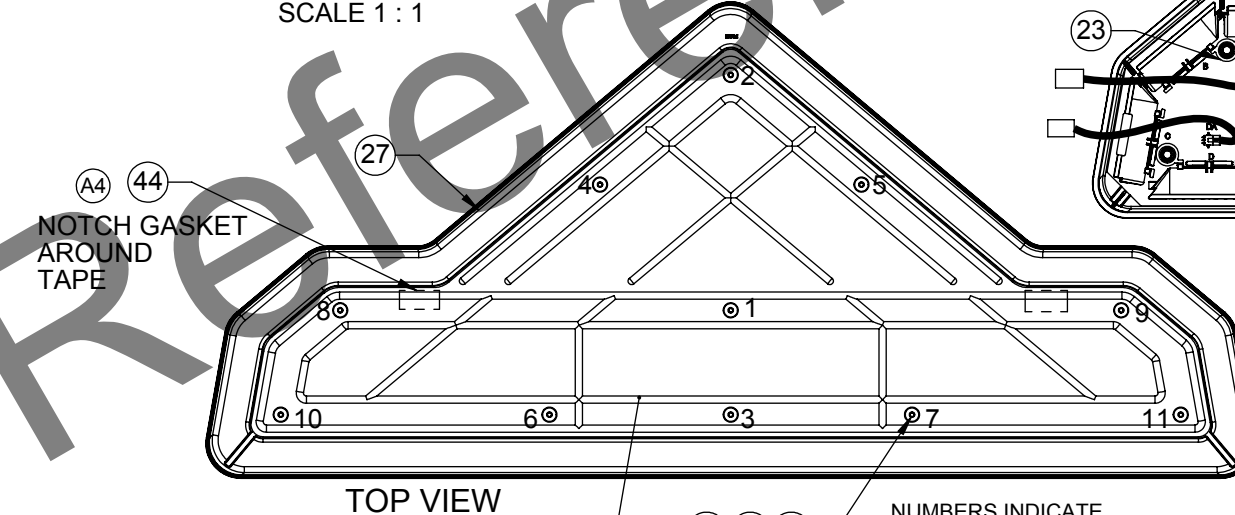
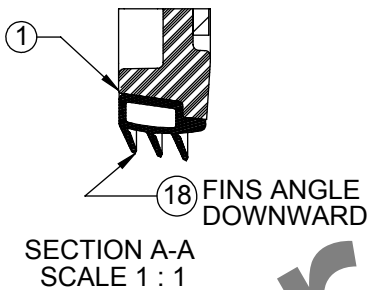
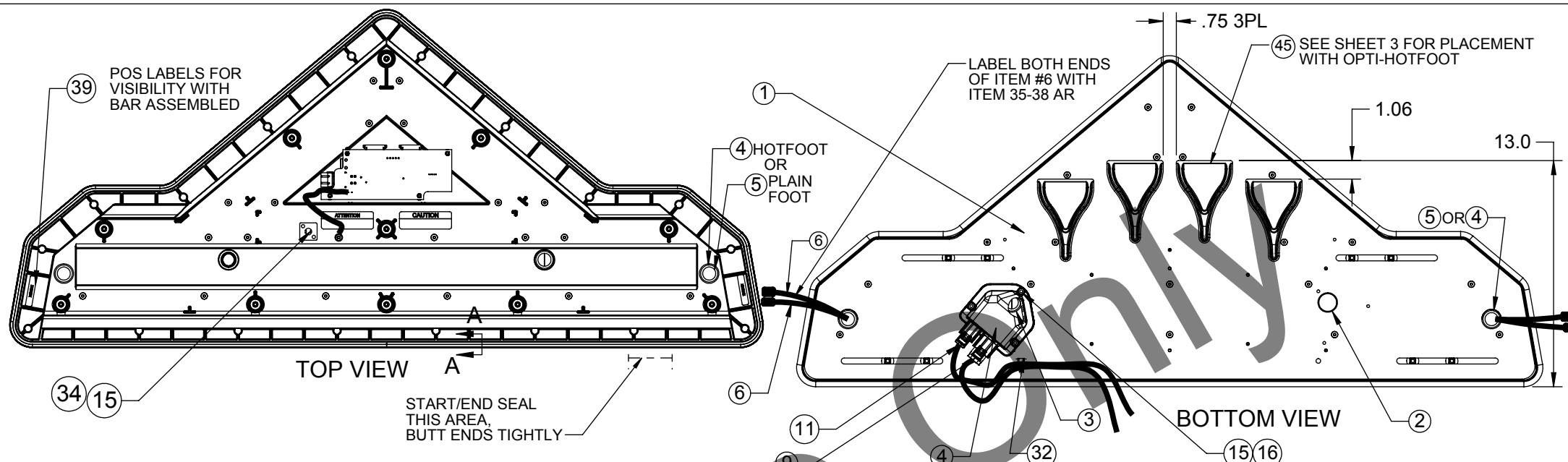
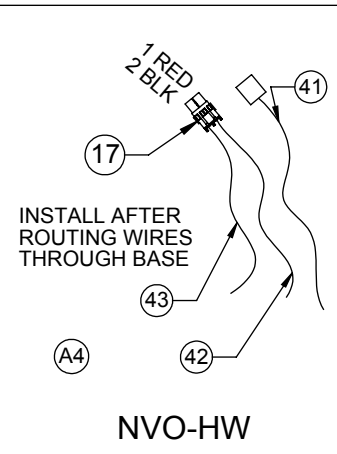
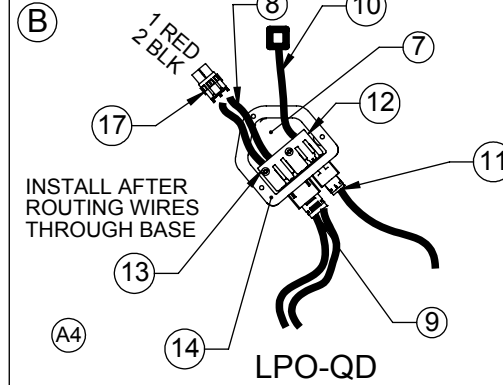


SEE SHEET 4 FOR ADDITIONAL INFORMATION.



REV	ITEM NO.	QTY.	PART NO.	DESCRIPTION
	1	1	8651123	BASE ASSY, VALR44
B1	2	1	231313	PLUG, 875
	3	1	228134	GROMMET, SPLIT WEB
	4	4AR	228134	GROMMET, SPLIT WEB (HOTFOOT)
B1	5	4AR	231313	PLUG, 875 (PLAIN FOOT)
	6	4AR	1751583-12	CABLE, HOTFOOT, VALR
A4	7	1AR	8652149	HOUSING, CONN ASSY
A4	8	1AR	1461854-24	HARNESS, PWR/GND, INT
A4	9	1AR	1461855-252	HARNESS, PWR/GND, EXT
A4	10	1AR	1751574-24	CABLE, COMM, INT
A4	11	1AR	1751575-300	CABLE, COMM, EXT
A4	12	1AR	8652127	RETAINER, CONN
A4	13	2AR	7011200-06	SCREW, #8 TYP B, TORX, PAN
A4	14	1AR	8652152	GASKET, CONN HOUSING
	15	1	150166	CABLE TIE MOUNT
	16	3AR	7058A045	NUT, 8-32 KEPS, SS
	17	1	139532-02	RECPT, .393 PITCH, MINIFIT SR
	18	1	8651116	SEAL, EXTRUDED, VALR
	19	1	2005653-xxxx	CTRLR, VALR (CONFIG)
	20	1	2005659-xxxx	PCBA, ROC, DF, VALR (CONFIG)
	21	1	2005660-xxxx	PCBA, ROC, PF, VALR (CONFIG)
	22	1	2005661-xxxx	PCBA, ROC, DE, VALR44 (CONFIG)
	23	1	2005662-xxxx	PCBA, ROC, PE, VALR44 (CONFIG)
	24	1	2005663-xxxx	PCBA, ROC, DR, VALR (CONFIG)
	25	1	2005663-xxxx	PCBA, ROC, PR, VALR (CONFIG)
	26	6	1461861-05	HARNESS, B2B, VALR
	27	1	8651101	LENS, VALR44
	28	1	8651125	GASKET, COVER, VALR44
	29	1	8651114	COVER, VALR44
	30	11	7065071	NUT, 1/4-20 BBL, PAN TORX, SS, BLK
	31	11	7067016	O-RING, 5/16ID, EPDM
	32	1	150174	CABLE TIE MOUNT, .25 HOLE
	33	1	150A146	CABLE TIE, BLACK, UV STABLE
	34	1	150A143	CABLE TIE
	35	2AR	1612318-03	LABEL, DT
	36	2AR	1612318-04	LABEL, DA
	37	2AR	1612318-05	LABEL, PT
	38	2AR	1612318-06	LABEL, PA
A1	39	2	1613098	LABEL, SERVICE SN, VALOR
A2	40	11	7072301	WASHER, NYLON, 5/16 FLAT
A4	41	1AR	1751357-02	CABLE, RS485, 25'
A4	42	1AR	T300210-02-027	T-WIRE, 276" (5/16NT:1/2NT)
A4	43	1AR	T300210-10-029	T-WIRE, 276" (5/16NT:1/2NT)
A4	44	4"	R55-07-01	VHB TAPE
A5	45	4	865100141	AIRTAB, BLACK

SHEET 1 OF 4

Tolerances Unless Otherwise Specified	
Angles	±0.5°
X.XX	±0.015
X.XXX	±0.005

SIGNAL DIVISION
Federal Signal Corporation
 2645 FEDERAL SIGNAL DRIVE - UNIVERSITY PARK, IL 60484

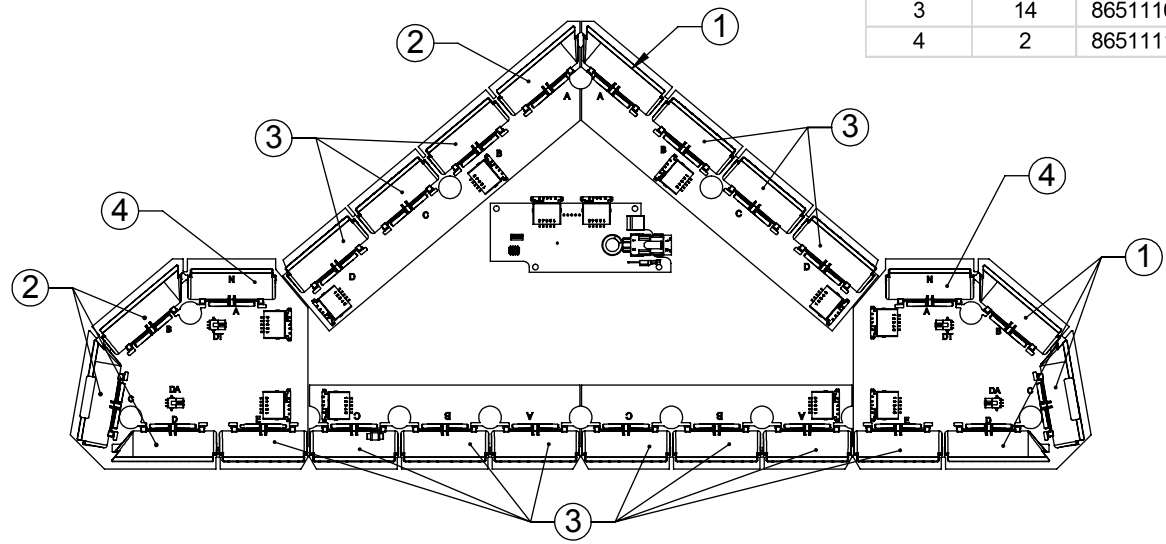
MATERIAL DESCRIBED AND INFORMATION CONVEYED IS PROPRIETARY TO FEDERAL SIGNAL CORPORATION, IS OR MAY BE THE SUBJECT OF PATENT APPLICATIONS, AND MAY NOT BE COPIED, DIVULGED TO OTHERS, OR USED FOR MANUFACTURING WITHOUT CONSENT.

B1	SEE ECR # 560	03/14/13	CPM
B0	SEE ECR # 12-9327	08/14/12	RAC
A5	SEE ECR# 12-9071	05/09/12	CPM
A4	SEE ECR# 11-8580	12/01/11	CPM
A3	SEE ECR# 11-7802	06/22/11	CPM
A2	SEE ECR# 11-7456	01/27/11	CPM
A1	SEE ECR# 10-7308	12/13/10	CPM
A	REL. TO PROD ECR# 10-7040	10/01/10	CPM
REV	CHANGE	DATE	BY

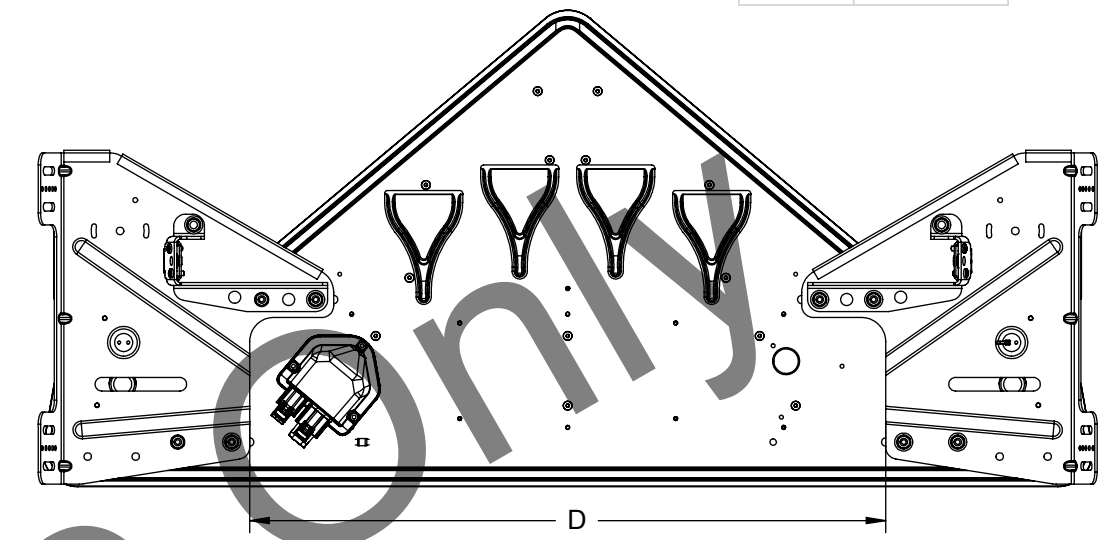
FINISH:	*****
MATERIAL:	*****
NAME:	FINAL ASSY, VALR44
UNIT OF MEASURE:	PC

DRAWN BY:	CPM	CHKD. BY:	GRF	SCALE AT B SIZE:	1:8
DATE:	02/08/10	DATE:	02/08/10		
DRAWING NUMBER:	8651128B				

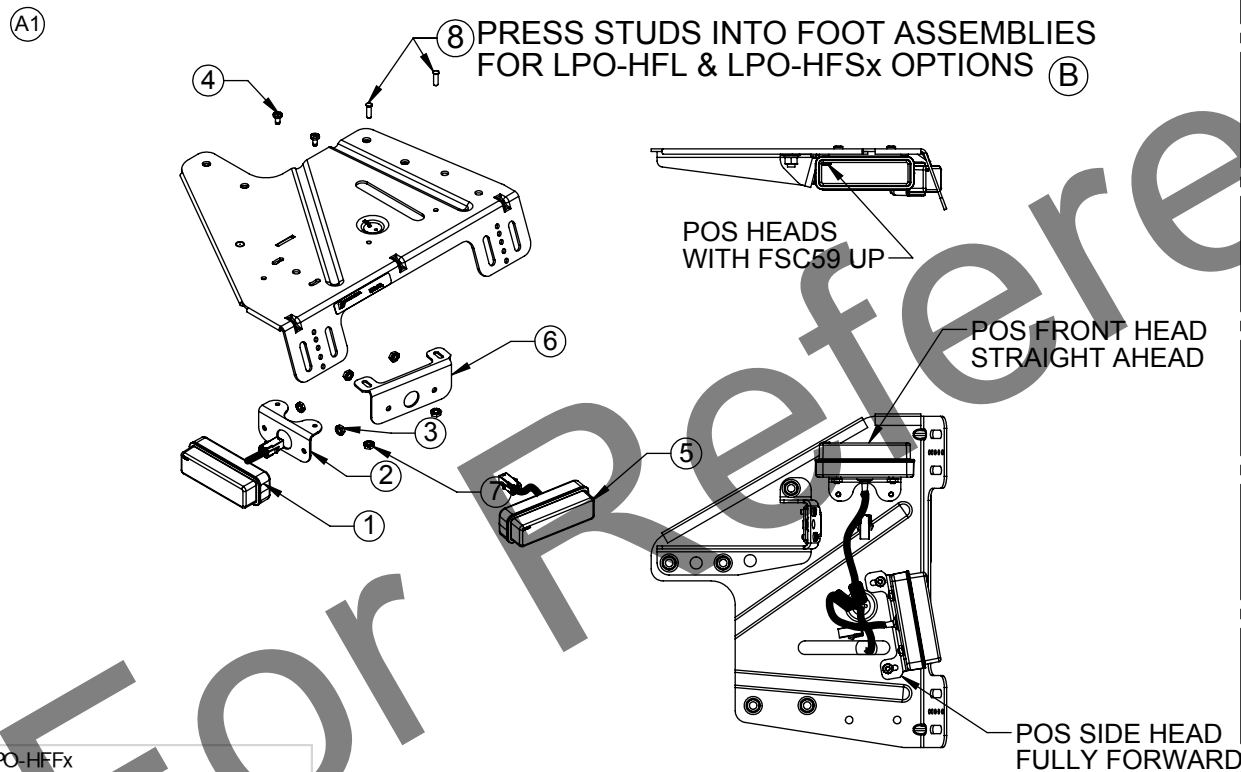
ITEM NO.	44" QTY.	PART NO.	DESCRIPTION
1	4	8651104	REFL, WIDE, ANGLED, LH
2	4	8651105	REFL, WIDE, ANGLED, RH
3	14	8651110	REFL, WIDE
4	2	8651111	REFL, NARROW



MODEL	DIM 'D'
VALR44	26.5



OPTION	SIXPAXX PART NO.
LPO-HFFA	8652183-A
LPO-HFFB	8652183-B
LPO-HFFR	8652183-R
LPO-HFT	8652183-W
LPO-HFFG	8652183-G
LPO-HFFBR	8652183-BR
LPO-HFFBW	8652183-BW
LPO-HFFRW	8652183-RW
LPO-HFFBA	8652183-BA
LPO-HFFRA	8652183-RA
LPO-HFFBRW	8652183-BRW
LPO-HFFWA	8652183-WA
LPO-HFSA	8652183-A
LPO-HFSB	8652183-B
LPO-HFSR	8652183-R
LPO-HFL	8652183-W
LPO-HFSG	8652183-G
LPO-HFSBR	8652183-BR
LPO-HFSBW	8652183-BW
LPO-HFSRW	8652183-RW
LPO-HFSBA	8652183-BA
LPO-HFSRA	8652183-RA
LPO-HFSBRW	8652183-BRW
LPO-HFSWA	8652183-WA



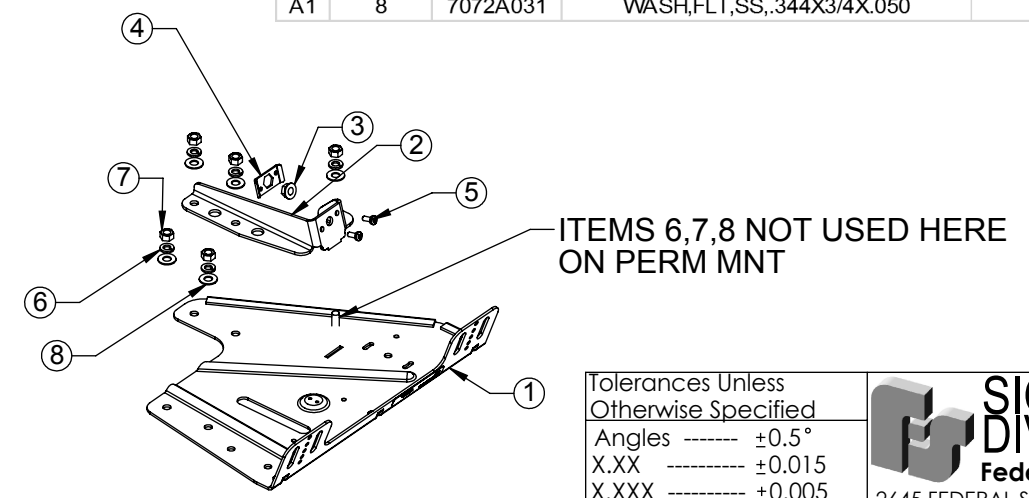
ITEM NO.	QTY.	PART NO.	DESCRIPTION
1	1	SEE TABLE	SIXPAXX
2	1	8652128	BRKT, 6BTN IMPAXX TD
3	2	7058A047	NUT, 10-32 KEPS,SS
4	2	7011162-06	SCR, 10-32 TT, TORX/PAN, BLK SS
NS	1	1751583-45	CABLE, HOTFOOT

LPO-HFT, LPO-HFFx

ITEM NO.	QTY.	PART NO.	DESCRIPTION
5	1	SEE TABLE	SIXPAXX
6	1	8651127	BRKT, 6BTN IMPAXX AL, LPVB
7	4	7058A047	NUT, 10-32 KEPS,SS
NS	1	1751583-45	CABLE, HOTFOOT
8	2	7017170A-1C	STUD, 10-32, SELF CLINCHING

LPO-HFL, LPO-HFSx

REV	ITEM NO.	PART NO.	DESCRIPTION	LPO-HOOK, LPO-HFHOO	LPO-PERM, LPO-HFFERM	LPO-A5 HFNHOOK
	1	8651119	FOOT ASSY, LH MOUNTING, VALR	1	1	
		8651120	FOOT ASSY, RH MOUNTING, VALR	1	1	
A5	1	8651119-N	FOOT ASSY, NEUT, LH, VALR	--	--	1
A5		8651120-N	FOOT ASSY, NEUT, RH, VALR	--	--	1
	2	8651121	BRACKET, HOOK ATTACH, LH	1	--	1
		8651122	BRACKET, HOOK ATTACH, RH	1	--	1
	3	7065078	NUT, 5/16-18, FLANGE, HCR STL	2	--	2
	4	8583490	NUT RETAINER	2	--	2
	5	7011246-08	SCR, #10 TYP B, PAN TORX, SS, BLK	4	--	4
	6	7074A020	LKWSHR, 5/16 SPLT, SS	10	8	10
	7	7059125	NUT, 5/16-18, HI-CORR. RESIST, HEX, STL	10	8	10
A1	8	7072A031	WASH, FLT, SS, .344X3/4X.050	10	8	10



Tolerances Unless Otherwise Specified
Angles ----- ±0.5°
X.XX ----- ±0.015
X.XXX ----- ±0.005

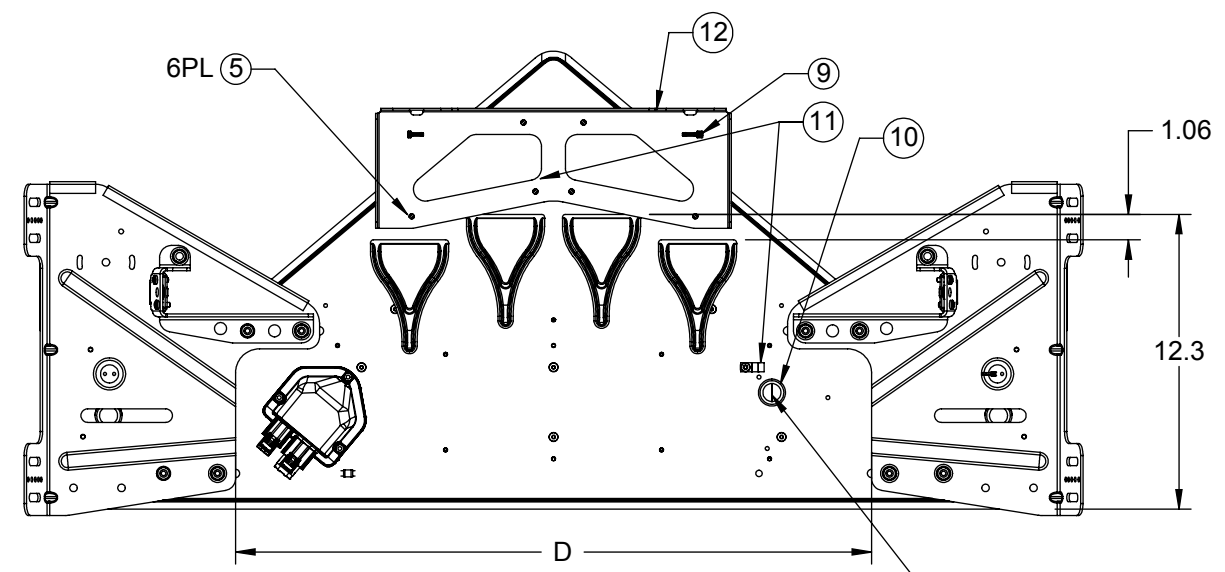
SIGNAL DIVISION
Federal Signal Corporation
 2645 FEDERAL SIGNAL DRIVE - UNIVERSITY PARK, IL 60484

SHEET 2 OF 4

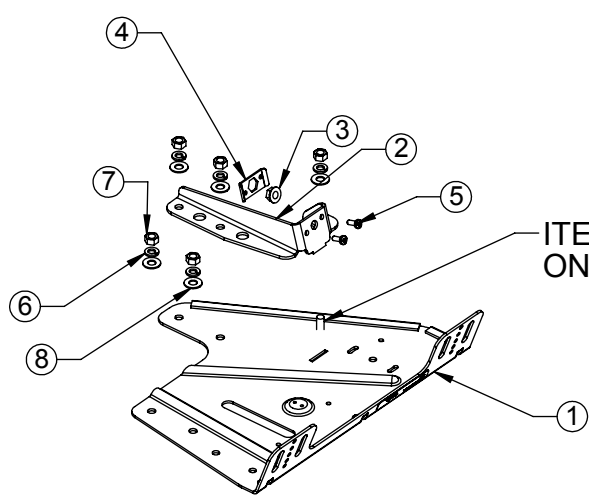
REV	CHANGE	DATE	BY
*	SEE SHEET 1	**/**/**	***

FINISH:	*****
REMOVE BURRS, SHARP CORNERS AND EDGES	
MATERIAL:	*****
UNIT OF MEASURE:	PC
NAME:	FINAL ASSY, VALR44

MATERIAL DESCRIBED AND INFORMATION CONVEYED IS PROPRIETARY TO FEDERAL SIGNAL CORPORATION, IS OR MAY BE THE SUBJECT OF PATENT APPLICATIONS, AND MAY NOT BE COPIED, DIVULGED TO OTHERS, OR USED FOR MANUFACTURING WITHOUT CONSENT.		
DRAWN BY: CPM	CHKD. BY: GRF	SCALE AT B SIZE: 1:8
DATE: 02/08/10	DATE: 02/08/10	
DRAWING NUMBER:		8651128B

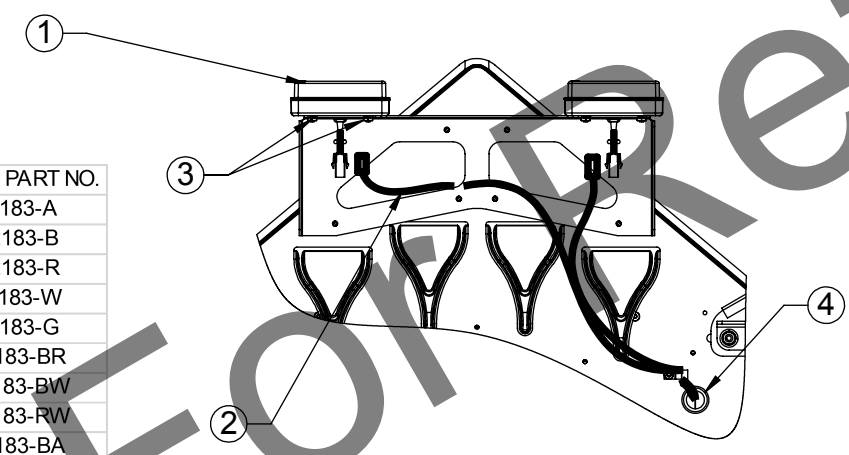


REV	ITEM NO.	PART NO.	DESCRIPTION	LPO-OPHFHOOK QTY.	LPO-OPHFPERM QTY.
	1	8651119	FOOT ASSY, LH MOUNTING, VALR	1	1
		8651120	FOOT ASSY, RH MOUNTING, VALR	1	1
	2	8651121	BRACKET, HOOK ATTACH, LH	1	--
		8651122	BRACKET, HOOK ATTACH, RH	1	--
	3	7065078	NUT, 5/16-18, FLANGE,HCR STL	2	--
	4	8583490	NUT RETAINER	2	--
	5	7011246-08	SCR, #10 TYP,B,PAN TORX,SS,BLK	10	6
	6	7074A020	LKWSHR, 5/16 SPLT, SS	10	8
	7	7059125	NUT,5/16-18,HI-CORR.RESIST,HEX,STL	10	8
	8	7072A031	WASH,FLT,SS, 344X3/4X 050	10	8
	9	150A146	TIE WRAP, UV STABILIZED	2	2
	10	228134	GROMMET,WEB	1	1
	11	8542A028-01	CABLE CLAMP,5/16	2	2
	12	8651144A	BRKT,LH FWD MNT,OPTI FOOT	1	1
	13	R70-08-02	RTV SILICONE	0.01	0.01



MODEL	DIM 'D'
VALR44	26.5

13 SEAL CABLES AND GROMMET FROM INSIDE WITH RTV



OPTION	SIXPAXX PART NO.
LPO-OPA	8652183-A
LPO-OPB	8652183-B
LPO-OPR	8652183-R
LPO-OPT	8652183-W
LPO-OPG	8652183-G
LPO-OPBR	8652183-BR
LPO-OPBW	8652183-BW
LPO-OPRW	8652183-RW
LPO-OPBA	8652183-BA
LPO-OPRA	8652183-RA
LPO-OPBRW	8652183-BRW
LPO-OPWA	8652183-WA

LPO-OPx			
ITEM NO.	QTY.	PART NO.	DESCRIPTION
1	1	SEE TABLE	SIXPAXX
2	1	1751583-45	CABLE,HOTFOOT
3	2	7058A047	NUT,10-32 KEPS,SS

SHEET 3 OF 4

Tolerances Unless Otherwise Specified	
Angles	±0.5°
X.XX	±0.015
X.XXX	±0.005

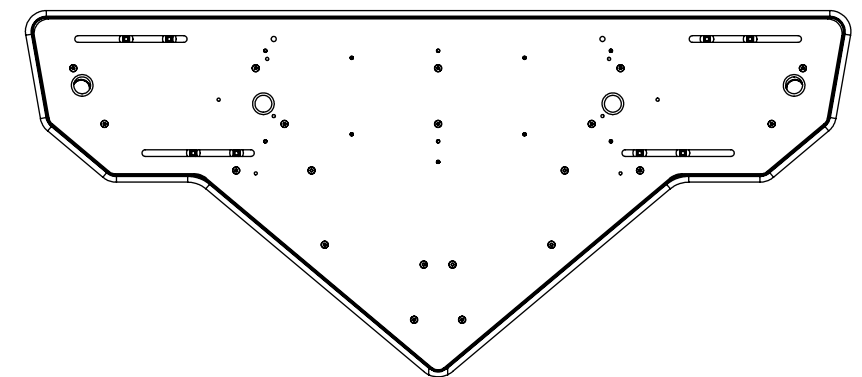
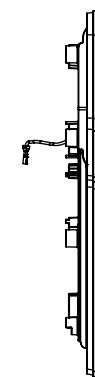
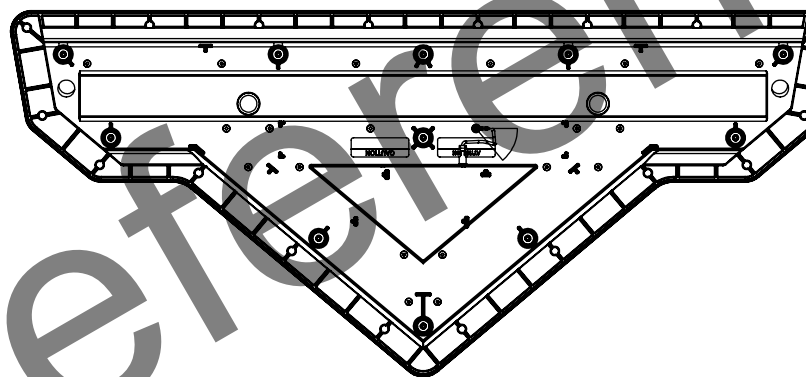
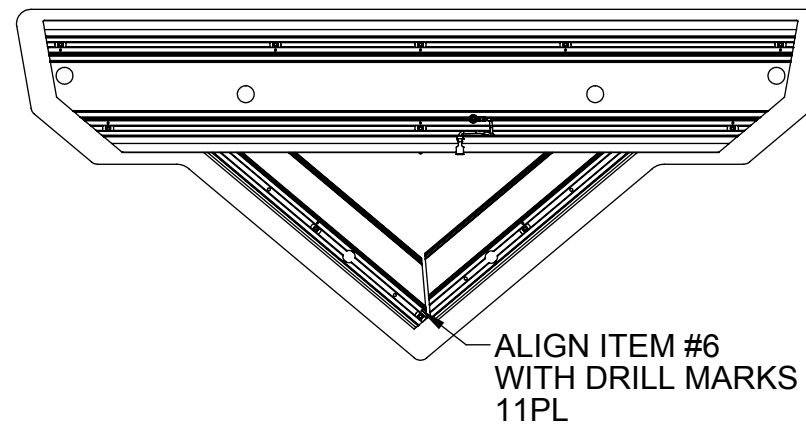
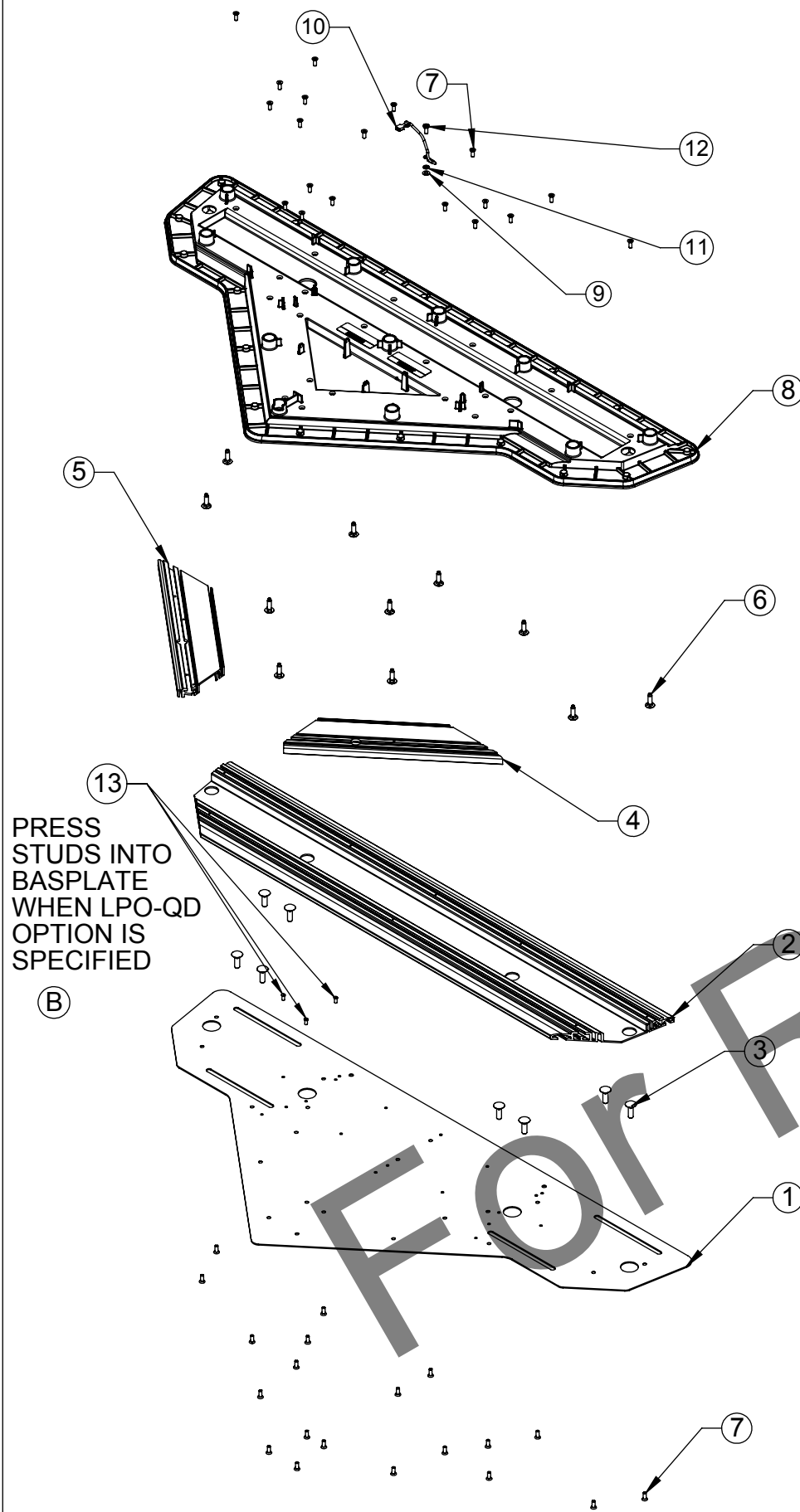
SIGNAL DIVISION
Federal Signal Corporation
 2645 FEDERAL SIGNAL DRIVE - UNIVERSITY PARK,IL 60484

REV	CHANGE	DATE	BY
*	SEE SHEET 1	**/**/**	***

FINISH:	****
REMOVE BURRS, SHARP CORNERS AND EDGES	
MATERIAL:	*****
UNIT OF MEASURE:	PC
NAME:	FINAL ASSY,VALR44

MATERIAL DESCRIBED AND INFORMATION CONVEYED IS PROPRIETARY TO FEDERAL SIGNAL CORPORATION, IS OR MAY BE THE SUBJECT OF PATENT APPLICATIONS, AND MAY NOT BE COPIED, DIVULGED TO OTHERS, OR USED FOR MANUFACTURING WITHOUT CONSENT.		
DRAWN BY: CPM	CHKD. BY: GRF	SCALE AT B SIZE: 1:8
DATE: 02/08/10	DATE: 02/08/10	
DRAWING NUMBER:		8651128B

REV	ITEM NO.	QTY.	PART NO.	DESCRIPTION
	1	1	8651107	BASEPLATE ASSY, LPX44
	2	1	8651112-44	EXTR, MAIN, LPX44
	3	8	7004025-16	BOLT, CRG, 5/16-18, SS
	4	1	8651113-DS	EXTR, NOSE, DS
	5	1	8651113-PS	EXTR, NOSE, PS
	6	11	7004031-14	BOLT, 1/4-20, CARR., DOGPOINT
	7	39	7011248-08	SCR, #10 TYPE B, FLT TORX, SS, BLK
	8	1	8651100	BASE, LPX 44"
	9	1	7072A015	WASHER, FLAT, SS, FOR #10 SCREW
A1	10	1	T3001218-10-001	T-WIRE, 5.75"(1/4NT:5/16NT)
	11	1	7075A072	WASHER, #10 INTERNAL TOOTH
A1	12	1	7011246-08	SCR, #10 TYP B, PAN/TORX
B	13	3	7017A010-06	STUD, 8-32, SELF CLINCHING (ONLY USED WITH LPO-QD OPTION)



SHEET 4 OF 4

Tolerances Unless Otherwise Specified	
Angles	±0.5°
X.XX	±0.015
X.XXX	±0.005

SIGNAL DIVISION
Federal Signal Corporation
 2645 FEDERAL SIGNAL DRIVE - UNIVERSITY PARK, IL 60466

MATERIAL DESCRIBED AND INFORMATION CONVEYED IS PROPRIETARY TO FEDERAL SIGNAL CORPORATION, IS OR MAY BE THE SUBJECT OF PATENT APPLICATIONS, AND MAY NOT BE COPIED, DIVULGED TO OTHERS, OR USED FOR MANUFACTURING WITHOUT CONSENT.

FINISH:	****	REMOVE BURRS, SHARP CORNERS AND EDGES
MATERIAL:	****	UNIT OF MEASURE: PC
NAME:	FINAL ASSY, VALR44	DRAWING NUMBER: 8651128B
REV	CHANGE	DATE BY
**	SEE SHEET 1	***/**/**

FINISH:	****	REMOVE BURRS, SHARP CORNERS AND EDGES
MATERIAL:	****	UNIT OF MEASURE: PC
NAME:	FINAL ASSY, VALR44	DRAWING NUMBER: 8651128B
DATE:	02/08/10	SCALE AT B SIZE: 1:8
DATE:	02/08/10	

DRAWN BY: CPM	CHKD. BY: GRF	SCALE AT B SIZE: 1:8
DATE: 02/08/10	DATE: 02/08/10	
DRAWING NUMBER:		8651128B