

2562670 Rev A1 0923

Safety Message to Installers of Sound/Light Equipment

⚠ WARNING

People's lives depend on your proper installation and servicing of Federal Signal products. It is important to read and follow all instructions shipped with this product. Listed below are some other important safety instructions and precautions you should follow.

- To properly install a back-up alarm, you must have a good understanding of truck and heavy equipment electrical procedures and systems, along with proficiency in the installation and use of safety warning equipment.
- Back-up alarms should be used for BACK-UP WARNING applications only. The back-up alarm sound is generally recognized as a warning for reversing vehicles/mobile equipment. Alarm products with different sound tones are available for non-reversing applications.
- When drilling into a vehicle structure, ensure that both sides of the surface are clear of anything that could be damaged.
- Locate the back-up alarm so it will operate safely under all conditions. The location must provide protection from impact and adverse weather conditions while allowing unobstructed sound projection to the target hazard area.
- All effective back-up alarms produce loud sounds which may cause, in certain situations, permanent hearing loss. You should take appropriate precautions and follow your employer's hearing conservation program and safety guidelines for instructions as to whether you should wear hearing protection.
- Ensure that the vehicle's supply voltage is within the voltage rating specified on the back-up alarm.
- Frequently inspect the back-up alarm system to ensure that it is operating properly and securely attached to the vehicle.
- DO NOT install equipment or route wiring or cords in the deployment path of an airbag.
- If a vehicle seat is temporarily removed, verify with the vehicle manufacturer if the seat needs to be recalibrated for proper airbag deployment.
- Test all vehicle functions, including horn operation, vehicle safety functions, and vehicle light systems, to ensure proper operation. Ensure that installation has not affected vehicle operation or changed any vehicle safety function circuit.

- After testing is complete, provide a copy of these instructions to the instructional staff and all operating personnel.
- File these instructions in a safe place and refer to them when maintaining or reinstalling the product.

Failure to follow all safety precautions and instructions may result in property damage, serious injury, or death.

Overview

The Federal Signal 2012 Series backup alarm is a solid-state audible warning device enclosed in a weatherproof housing. When activated, the backup alarm produces a tone with a sound intensity of 87 dB(A), 97 dB(A), or 102 dB(A) at 4 feet (1.2 m), depending on the model. See Table 2. This tone is interrupted at a rate of approximately 80 times per minute.

Unpacking the Kit

After unpacking the kit, inspect it for damage that may have occurred in transit. If it has been damaged, do not attempt to install or operate it. File a claim immediately with the carrier, stating the extent of the damage. Carefully check all envelopes, shipping labels, and tags before removing or destroying them.

Table 1 Product Specifications - All Models

Operating Voltage	9 Vdc to 32 Vdc
System Voltage	12 Vdc to 24 Vdc systems
Operating Current	See Table 2
Sound Output Level	See Table 2
Operating Temperature Range	-40°F to +185°F (-40°C to +85°C)
Overall Dimensions (L x W x D)	4.13 x 1.25 x 2.50 inches (10.48 x 3.18 x 6.35 cm)
Net Weight	0.4 lb (0.18 kg)
Housing	Steam-cleanable, weatherproof glass-filled nylon

Table 2 Specifications by Model

Model	Decibels*	Connection Type	Operating Current
210238-S	87 dB(A)	stud terminals	0.3 A max.
210239-S	97 dB(A)	stud terminals	0.3 A max.
210240-S	102 dB(A)	stud terminals	0.5 A max.
210238-W	87 dB(A)	with wires	0.3 A max.
210239-W	97 dB(A)	with wires	0.3 A max.
210240-W	102 dB(A)	with wires	0.5 A max.

* The product label on the back-up alarm housing describes the sound output in decibels (dB[A])

Mounting the Backup Alarm

⚠ WARNING

INSTALLATION PRECAUTIONS: *This back-up alarm is designed to concentrate its audible alarm in the target hazard area. For proper warning signal coverage, the alarm should be mounted approximately 4 feet (122 cm) above ground level with the sound ports of the back-up alarm facing the target hazard area. There should be no obstructions around or blocking the sound ports of the alarm*

⚠ WARNING

SOUND PORTS MUST NOT FACE UPWARD: *Do not mount the back-up alarm with the sound ports facing upward where it can become buried, submerged, or clogged with mud, water, and/or other debris. A clogged alarm will be rendered ineffective and will produce little or no sound output. Always be sure that the alarm's sound ports are facing the area you are trying to warn, the ports are not clogged, and the alarm is functioning properly before using the vehicle.*

The alarm's built-in "L-type" bracket enables installation in a variety of locations. Ensure that the sound openings are positioned to allow unobstructed sound projection to the target hazard area. Installer-provided mounting hardware is required.

To mount the alarm to the vehicle:

1. Select a mounting location at the rear of the vehicle that is protected from flying debris and adverse weather conditions while allowing unobstructed sound projection to the target hazard area.

NOTICE

DRILLING PRECAUTIONS: *Before drilling holes, check the area into which you are drilling to ensure that you do not damage vehicle components while drilling. All wire routings going through drilled holes should be protected by a grommet or convoluted/split loom tubing.*

2. Use the alarm housing as a template to mark the locations of the mounting holes. Drill holes at the marks.
3. Secure the alarm through the mounting holes with the installer-provided hardware.

Safety Messages for Wiring the Back-Up Alarm

⚠ WARNING

People's lives depend on your proper wiring of the back-up alarm. It is important to read and follow all of the instructions in this section. Listed below are some other important safety instructions and precautions you should follow:

- DO NOT wire in parallel with a solenoid or relay coil. DO NOT install the alarm or its wiring in proximity to ignition wires. DO NOT spray any coating material, such as paint, undercoating, etc., over any part of the alarm. Failure to observe this warning may adversely affect the performance of the alarm and cause property damage, serious injury, or death.
- Improper grounding could cause the back-up alarm to function improperly and result in death or serious injury to those who rely on this device for personal safety. The ground connection (–) must be attached to a solid metal body or chassis part that will provide a dependable ground path for as long as the device is to be used.
- During operation, the voltage differential between the common ground and the negative terminal (–) of the back-up alarm must not exceed 150 mV.
- The back-up alarm is sensitive to polarity and will not operate when its power and ground connections are reversed. Ensure that the battery voltage is the same as the voltage of the alarm and that correct polarity is observed.
- Do not connect the back-up alarm to high-powered motor-reverse circuitry.

Failure to observe these warnings may damage the back-up alarm or prevent it from operating, potentially causing property damage, serious injury, or death.

NOTE: This product is a safety device. To assure its continued operation, it must be connected to the fused back-up circuit lamp circuit of the vehicle or to its own separate fused power point. See Figure 1.

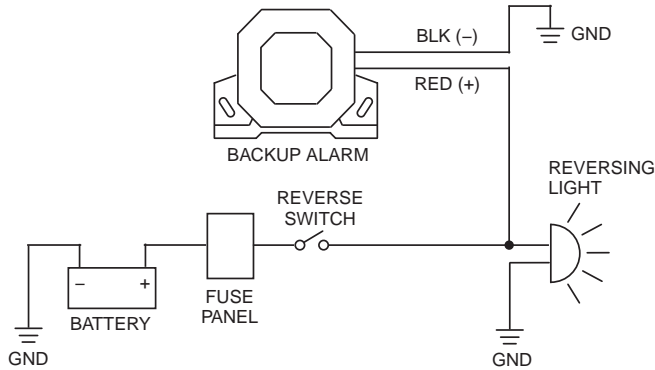
Installation and Operating Instructions for Federal Signal 2012 Series Back-Up Alarms

To wire the back-up alarm to the vehicle's electrical system:

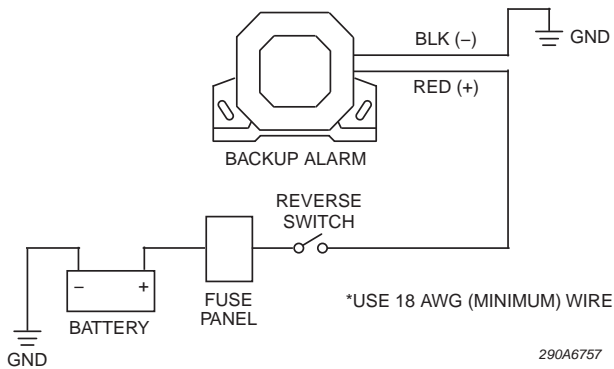
1. Make connections with 18 AWG (minimum) wiring according to the appropriate diagram in Figure 1. The positive (+) and negative (-) connections are marked on the housing.

Figure 1 Wiring options for back-up alarm

CONNECTION WITH FUSED REVERSE-LIGHT CIRCUITRY*



CONNECTION WITH REVERSE SWITCH ONLY*



2. Test the back-up alarm for proper operation. If the back-up alarm does not sound, refer to the warnings and precautions at the beginning of this section. Do not operate the vehicle if the back-up alarm is not functioning properly.
3. After confirming proper operation, affix one of each type of provided warning label to the dashboard of the vehicle in plain view of the operator. Affix the remaining label in an area that is clearly visible to anyone near the area of the vehicle equipped with the back-up alarm.
4. Test all vehicle functions, including horn operation, vehicle safety functions, and vehicle lighting systems to ensure proper operation. Ensure that the installation has not affected the vehicle operation or changed any vehicle safety functions or circuits. Do not test the vehicle while driving.

Safety Messages to Operators of Federal Signal Back-Up Alarms

⚠ WARNING

People's lives depend on your safe operation of the back-up alarm. It is important to read and follow all the instructions in this section. Listed below are some other important safety instructions and precautions you should follow:

- It is important that you fully understand how to safely operate this warning system before use.
- Do not operate the vehicle if the back-up alarm is inoperative. It could jeopardize the safety or lives of those who depend on the back-up alarm signal for personal safety.
- All effective back-up alarms produce loud sounds that may cause, in certain situations, permanent hearing loss. Follow your employer's hearing conservation program and safety guidelines for instructions as to whether you should wear hearing protection.
- Your hearing and the hearing of others, in or close to your vehicle, could be damaged by loud sounds. This can occur from short exposures to very loud sounds, or from longer exposures to moderately loud sounds. For hearing conservation guidance, refer to federal, state, or local recommendations. OSHA Standard 1910.95 offers guidance on "Permissible Noise Exposure."
- Optimum sound propagation will be reduced if the back-up alarm becomes clogged with a foreign substance such as mud or snow. While cleaning, ensure that foreign material is not packed into the sound ports.
- Although your warning system is operating properly, it may not alert everyone. People may not hear, see, or heed your warning signal. You must recognize this fact and continue to operate your vehicle cautiously.
- Testing the back-up alarm should be listed on the daily maintenance report. The back-up alarms on operating vehicles must be tested each day prior to the vehicles' operation. Results of this test must be recorded in the maintenance file.
- Notify your supervisor that people operating this equipment **MUST** check for proper operation at the beginning of every shift.

Failure to follow all safety precautions and instructions may result in property damage, serious injury, or death.

Getting Technical Support

For technical support, please contact:

Federal Signal Corporation
Service Department
Phone: 1-800-433-9132
Email: emp-service-info@fed-sig.com

Getting Repair Service

The Federal Signal factory provides technical assistance with any problems that cannot be handled locally. Any product returned to Federal Signal for service, inspection, or repair must be accompanied by a Return Material Authorization (RMA). Obtain an RMA from a local Distributor or Manufacturer's Representative. Provide a brief explanation of the service requested or the nature of the malfunction.

Address all communications and shipments to the following:

Federal Signal Corporation
Service Department
2645 Federal Signal Dr.
University Park, IL 60484-3167

Limited Warranty

This product is subject to and covered by a limited warranty, a copy of which can be found at www.fed-sig.com/SSG-Warranty. A copy of this limited warranty can also be obtained by written request to Federal Signal Corporation, 2645 Federal Signal Drive, University Park, IL 60484, email to info@fed-sig.com or call +1 708-534-3400.

This limited warranty is in lieu of all other warranties, express or implied, contractual or statutory, including, but not limited to the warranty of merchantability, warranty of fitness for a particular purpose and any warranty against failure of its essential purpose.



FEDERAL SIGNAL
Safety and Security Systems

2645 Federal Signal Drive
University Park, Illinois 60484-3167

www.fed-sig.com

Customer Support

Police/Fire-EMS: 800-264-3578 • +1 708 534-3400

Work Truck: 800-824-0254 • +1 708 534-3400

Technical Support: 800-433-9132 • +1 708 534-3400

© Copyright 2023 Federal Signal Corporation