

## Safety Message to Installers

**⚠ WARNING**

People's lives depend on your safe installation of our products. It is important to read, understand and follow all instructions shipped with the products. Listed below are some other important safety instructions and precautions you should follow:

- Do not install equipment or route wiring in the deployment path of an airbag.
- If a vehicle seat is temporarily removed, verify with the vehicle manufacturer if the seat needs to be recalibrated for proper airbag deployment.
- Although the camera is waterproof, repeatedly exposing it to direct, high-pressure streams of water (as from a pressure washer) is not recommended.
- When drilling into a vehicle structure, be sure that both sides of the surface are clear of anything that could be damaged.
- Refer to the instructions packed with related products for additional precautions and information.
- File these instructions in a safe place and refer to them when maintaining and/or reinstalling the product.

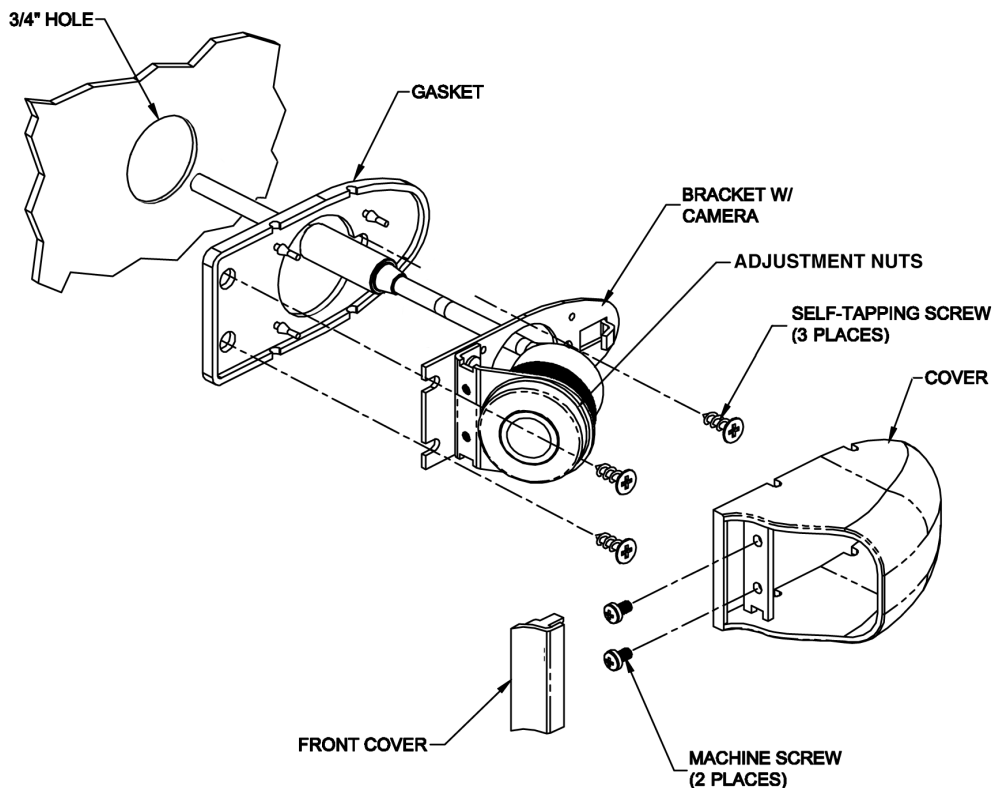
## Mounting the Camera

This camera is recommended for installation on either the left or right side of a vehicle. Typically, the trigger wire for the camera is connected to the turn-signal circuit of the vehicle for automatic viewing when the vehicle is turning. The camera is also equipped with night-vision and audio capability.

1. Locate a suitable mounting area on the vehicle free from obstructions such as wall braces, wires, brake or fuel lines, or other impediments.
2. See Figure 1 on page 2. To access the gasket as a guide for marking the positions of the mounting holes, remove the two screws from beneath the front cover.
3. Position the gasket over the mounting location and mark the center of the three mounting holes and the cable hole.
4. Remove the gasket and drill a 3/4-inch cable-routing hole and three 1/16-inch mounting holes.
5. Install the gasket onto the metal bracket.
6. Route the camera cable through the cable-routing hole.
7. Align the camera bracket over the drilled holes and attach it with the three self-tapping screws.
8. Before installing the covers on the camera, see the next two sections.

## Adjusting the Camera for the Right or Left Side

You can adjust the camera assembly inside the housing for either the left or right side of the vehicle. If the image on the monitor appears upside down on the preferred installation side of the vehicle, remove the two adjustment nuts and flip the camera assembly 180 degrees. Then install it to switch the camera from a left-side-view camera to a right-side-view camera or vice-versa. Reinstall the two nuts.



## Connecting the Camera Cable

The side camera has these cabling options:

- a) a camera extension cable that can be either:
- one CAMCABLE-SHORT/-5/-10/-15/-20/-40 or
  - two CAMCABLE-SHORT/-5/-10/-15/-20 connected in series with adapter CAMCABLE-EXT that is connected to:
  - either the CAM1 or CAM2 input on the input/power/trigger wiring harness (CAMADP-INT-2) of the CAMLCD-INT-56/CAMLCD-INT-70 monitor *or*
  - one of the four camera inputs on the CAMBOX-4NTSC/CAMBOX-4PAL control box (for use with the CAMLCD-70 monitor) *or*
  - one of the four camera inputs on the input/power/trigger wiring harness (CAMADP-INT-4) of the CAMLCD-INT-70-B
- or*
- b) a special DVR system camera-extension cable that is connected to one of the four camera inputs on the CAMDVR-4-B