

25500556 Rev. A1 0819

Safety Message to Installers of Warning Light Equipment

⚠ WARNING

People's lives depend on your proper installation and servicing of Federal Signal products. It is important to read and follow all instructions shipped with this product and the original product. In addition, listed below are some other important safety instructions and precautions you should follow:

- To properly install the lighting and siren systems, you must have a good understanding of automotive systems, along with proficiency in the installation and use of safety warning equipment.
- Do not install equipment or route wiring in the deployment path of an airbag.
- If a vehicle seat is temporarily removed, verify with the vehicle manufacturer if the seat needs to be recalibrated for proper airbag deployment.
- You should frequently inspect the light and siren systems to ensure that it is operating properly and that it is securely attached to the vehicle.
- When drilling into a vehicle structure, ensure that both sides of the surface are clear of anything that could be damaged.
- Refer to the instructions packed with related products for additional precautions and information.
- Do not stare directly into the lights at a close range, or permanent damage to your eyesight may occur.
- All effective sirens and horns produce loud sounds (120 dB) that may cause permanent hearing loss. Always minimize your exposure to the sound of the siren and horn and wear hearing protection. Do not sound the siren and horn indoors or in enclosed areas where you and others will be exposed to the sound.
- File these instructions in a safe place and refer to them when maintaining and/or reinstalling the product.

Failure to follow all safety precautions and instructions may result in property damage, serious injury, or death.

Mounting Bracket for ES100C and IMPAXX[®], MicroPulse[™] Lights

This publication has instructions for using the Model ESBL-DUR19ND bracket kit to mount dual ES100C speakers and/or IMPAXX IPX600B, IPX300 or MicroPulse MPS600, MPS600U, MPS1200, MPS1200U, and MPSW9 lights in the upper grille of the 2019 Dodge Durango.

NOTE: For electrical installation instructions, refer to the Installation and Maintenance Instructions included with the siren and lighthouse.

Mounting Instructions for the Dual ES100C and Lights Bracket

The Dodge Durango can have one of two grilles. The ESC100 mounting bracket works with one of these grilles.

Figure 1 Grille Type 1 (Does not work with this bracket)

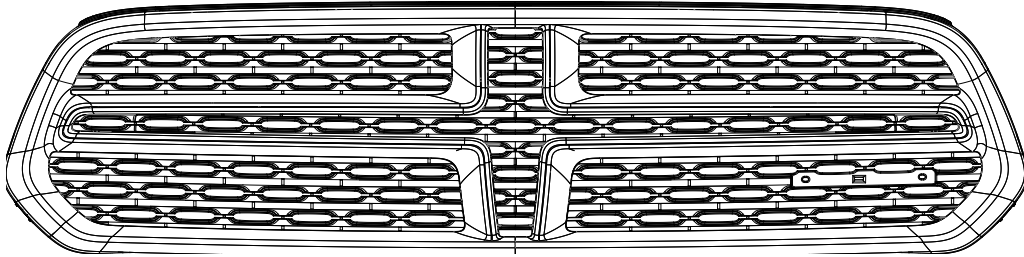
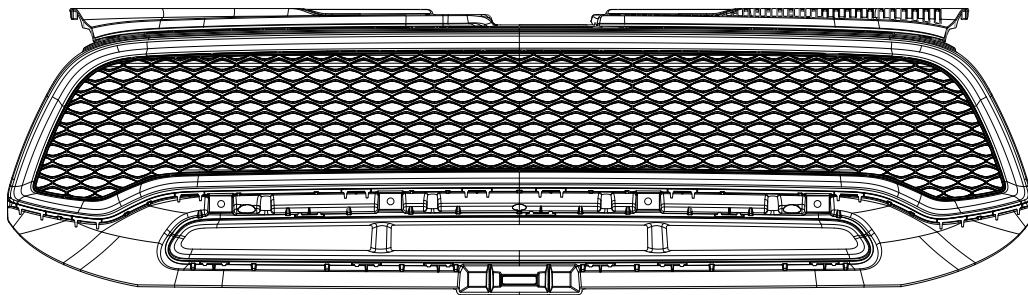


Figure 2 Grille Type 2 (Works with this bracket)



Unpacking the Kit

After unpacking the kit, inspect it for damage that may have occurred in transit. If it has been damaged, do not attempt to install or operate it. File a claim immediately with the carrier, stating the extent of damage. Carefully check all envelopes, shipping labels, and tags before removing or destroying them. Ensure that the parts in Table 1 are included in the package. Disposal of all shipping materials must be carried out in accordance with national and local codes and standards. If you are missing any parts, contact Customer Support at 1-800-264-3578, 7 a.m. to 5 p.m., Monday through Friday (CT).

Table 1 Model ESBL2-DUR19ND mounting kit

Qty.	Description	Part Number
1	Durango Dual ES100C-Light Bracket	856702922
6	Flat Washer	7072A034
4	#6-32 Phillips Pan Head Stainless Steel Screw	7000491-08
4	#6-32 Stainless Steel KEPS™ Nut	7058A046
4	Split Lock Washer	7074A020
4	5/16"-18 Bolt	7002A005-14

Installing the Brackets

⚠ WARNING

AIRBAG DEPLOYMENT: Do not install equipment or route wiring in the deployment path of an airbag. Failure to observe this warning will reduce the effectiveness of the airbag or potentially dislodge the equipment, causing serious injury or death.

NOTICE

DRILLING PRECAUTION: When drilling holes, check the area you are drilling into to be sure you do not damage vehicle components. All drilled holes should be deburred and all sharp edges should be smoothed. All wire routings going through drilled holes should be protected by a grommet or convolute/split loom tubing.

IMPORTANT: Plan all cable routing before the installation.

To install the speakers and lights:

1. Mount the speakers to the bracket with the 5/16-inch bolts and lock washers.
2. Mount the lights to the bracket. The IPX600B uses hardware supplied with the lighthead. The IPX300 and MicroPulse use the #6-32 screws and KEPS nuts in the ESBL2-DUR19ND kit.
3. Remove the fascia according to instructions in the manufacturer's service manual to access the area behind the grille.
4. Remove the two bolts securing the angled braces. See Figure 1.

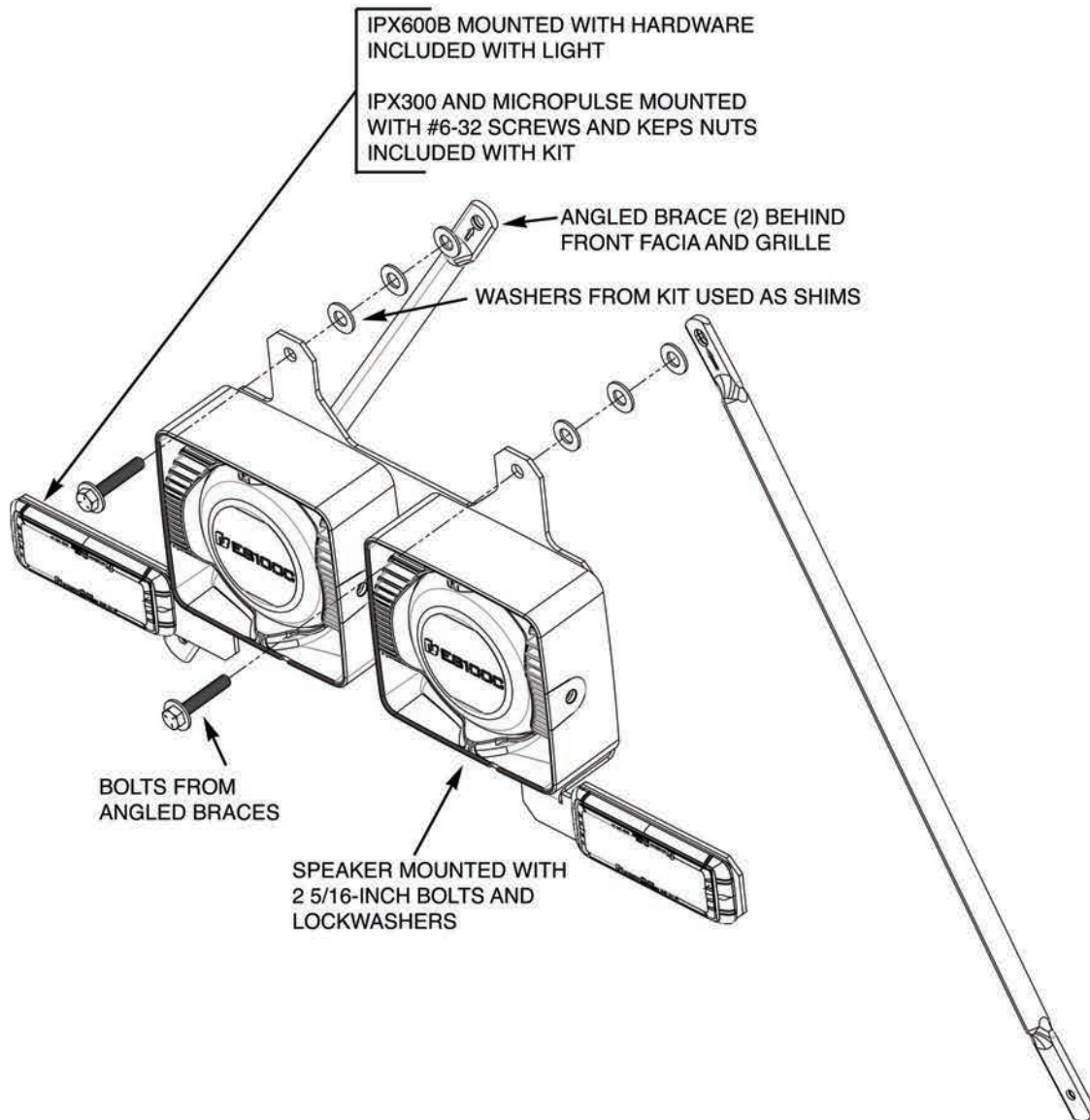
Figure 1 Bolts (circled) securing angled braces behind grille and front fascia



Mounting Instructions for the Dual ES100C and Lights Bracket

- Using the flat washers as shims between the bracket and angled braces, secure the assembly with bolts removed in Step 4. See Figure 2.

Figure 2 ESBL2-DUR19ND mounting bracket secured in front of angled braces



- Complete the installation according to the instructions provided with the speakers and/or light heads.

Getting Technical Support

For technical support, please contact:

Federal Signal Corporation
Service Department
Phone: 1-800-433-9132
Email: empSERVICEinfo@fedSIG.com

Getting Repair Service

The Federal Signal factory provides technical assistance with any problems that cannot be handled locally. Any units returned to Federal Signal for service, inspection, or repair must be accompanied by a Return Material Authorization (RMA). Obtain a RMA from a local Distributor or Manufacturer's Representative. Provide a brief explanation of the service requested, or the nature of the malfunction.

Address all communications and shipments to the following:

Federal Signal Corporation
Service Department
2645 Federal Signal Dr.
University Park, IL 60484-3167

Ordering Replacement Parts

To order replacement parts, call Customer Support at 1-800-264-3578, 7 a.m. to 5 p.m., Monday through Friday (CT) or contact your nearest distributor.

Limited Warranty

This product is subject to and covered by a limited warranty, a copy of which can be found at www.fedsig.com/SSG-Warranty. A copy of this limited warranty can also be obtained by written request to Federal Signal Corporation, 2645 Federal Signal Drive, University Park, IL 60484, email to info@fedsig.com or call +1 708-534-3400.

This limited warranty is in lieu of all other warranties, express or implied, contractual or statutory, including, but not limited to the warranty of merchantability, warranty of fitness for a particular purpose and any warranty against failure of its essential purpose.

KEPS is a trademark of ITW Shakeproof.
Durango is a trademark of Fiat Chrysler Motor Company.



FEDERAL SIGNAL
Safety and Security Systems

2645 Federal Signal Drive
University Park, Illinois 60484-3167

www.fedsig.com

Customer Support

Police/Fire-EMS: 800-264-3578 • +1 708 534-3400

Work Truck: 800-824-0254 • +1 708 534-3400

Technical Support: 800-433-9132 • +1 708 534-3400

© Copyright 2019 Federal Signal Corporation