

25500861 Rev A1 0224

Safety Message to Installers of Siren Speakers**⚠ WARNING**

People's lives depend on your proper installation and servicing of Federal Signal products. It is important to read and follow all instructions shipped with this product. Listed below are important safety instructions and precautions you should follow.

- To properly install or service this equipment, you must have a good understanding of automotive mechanical and electrical procedures and systems, along with proficiency in the installation and service of safety warning equipment. Always refer to the vehicle's service manuals when performing equipment installations on a vehicle.
- To be an effective warning device, this product produces bright light that can be hazardous to your eyesight when viewed at a close range. Do not stare directly into this lighting product at a close range, or permanent damage to your eyesight may occur.
- Do not install the light system in an area that would block, impair, or blind the driver's vision. Ensure that the light system is mounted in a position that is outside the driver's field of vision so the driver can safely operate the vehicle.
- A light system is a high-current system. For the system to function properly, a separate negative (–) connection and positive (+) connection must be made. All negative connections should be connected to the negative battery terminal, and a suitable fuse should be installed on the positive battery terminal connection as close to the battery as possible. Ensure that all wires and fuses are rated correctly to handle the device and system amperage requirements.
- Never attempt to install aftermarket equipment that connects to the vehicle wiring without reviewing a vehicle wiring diagram available from the vehicle manufacturer. Ensure that your installation will not affect vehicle operation or mandated safety functions or circuits. Always check the vehicle for proper operation after installation.
- The lighting system components, especially the outer housing, get hot during operation. Disconnect power to the system and allow the system to cool down before handling any components of the system.
- Do not mount a radio antenna within 18 inches (45.7 cm) of the lighting system. Placing the antenna too close to the lighting system could cause the lighting system to malfunction or be damaged by strong radio fields. Mounting the antenna too close to the lighting system may also cause the radio noise emitted from the lighting system to interfere with the reception of the radio transmitter and reduce radio reception.
- Do not attempt to wash any unsealed electrical device while it is connected to its power source.
- DO NOT connect this system to the vehicle battery until ALL other electrical connections are made, mounting of all components is complete, and you have verified that no shorts exist. If the wiring is shorted to the vehicle body or frame, high current conductors can cause hazardous sparks, resulting in electrical fires or flying molten metal.
- DO NOT install equipment or route wiring (or the plug-in cord) in the deployment path of an airbag.
- Before drilling into a vehicle structure, ensure that both sides of the surface are clear of anything that could be damaged. Remove all burrs from drilled holes. To prevent electrical shorts, grommet all drilled holes through which wiring passes. Ensure that the mounting screws do not cause electrical or mechanical damage to the vehicle.

Installing the MicroPulse® MPSM12U-WIN Bezel Kit

- Because vehicle roof construction and driving conditions vary, do not drive a vehicle with a magnetically mounted warning light installed. The light could fly off the vehicle, causing injury or damage. Repair of damage incurred because of ignoring this warning shall be the sole responsibility of the user.
- Locate the light system controls so the VEHICLE and CONTROLS can be operated safely under all driving conditions.
- After installation, test the light system to ensure that it is operating properly.
- Test all vehicle functions, including horn operation, vehicle safety functions, and vehicle light system to ensure proper operation. Ensure that the installation has not affected the vehicle operation or changed any vehicle safety function or circuit.
- Scratched or dull reflectors or lenses will reduce the effectiveness of the lighting system. Avoid heavy pressure and the use of caustic or petroleum-based products when cleaning the lighting system.
- Replace any optical components that may have been scratched or crazed during system installation.
- Do not attempt to activate or deactivate the light system controls while driving in a hazardous situation.
- Frequently inspect the light system to ensure that it is operating properly and that it is securely attached to the vehicle.
- After installation and testing are complete, provide a copy of these instructions to instructional staff and all operating personnel.
- File these instructions in a safe place and refer to them when maintaining and/or reinstalling the product. Failure to follow all safety precautions and instructions may result in property damage, serious injury, or death.

Introduction

These instructions describe how to use a bezel kit to window mount MicroPulse® MPSM12U light heads.

Unpacking the Kit

After unpacking the kit, inspect it for damage that may have occurred in transit. If it has been damaged, do not attempt to install or operate it. File a claim immediately with the carrier, stating the extent of the damage. Carefully check all envelopes, shipping labels, and tags before removing or destroying them. Ensure that the parts in Table 1 are included in the package. If you are missing any parts, contact Customer Support at 1-800-264-3578, 7 a.m. to 5 p.m., Monday through Friday (CT).

Table 1 MPSM12U-WIN kit contents

Item No.	Qty.	Description	Part Number
1	1	Rear Housing, MPSM12U-WIN	861304329
2	1	Base, MPSM12U-WIN	861304328
3	1	Shroud 84, MPSM12U-WIN	861304333 (Shown)
	1	Shroud 67, MPSM12U-WIN	861304332
	1	Shroud 46, MPSM12U-WIN	861304331
	1	Shroud 30, MPSM12U-WIN	861304330
4	4	Gasket Strip, CNX MPSM12U-WIN	861304425 (Shown)
5	2	Black Phillips® Head 48-2 Plastite® #6 Screw	7011220-05
6	2	#8-16 Thread Forming Plastic Torx Pan Head Screw	70001349-08
7	1	Pad, Alcohol Prep	77701201

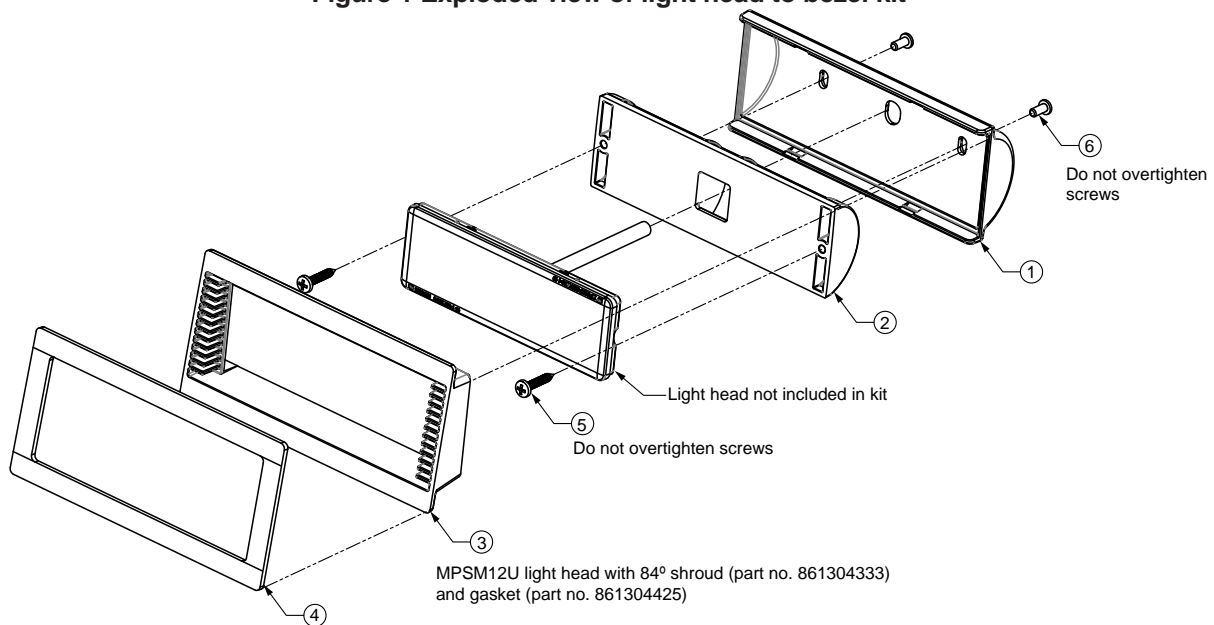
Assembling the Bezel and MicroPulse® Light Head

Assemble the unit as shown in Figure 1.

NOTES:

- Individual gasket strip lengths are supplied in the kit to be cut to size by the end user to accommodate the perimeter of the bezel that is being utilized.
- Check for proper fit before applying the gasket strips to the bezel's surface.

Figure 1 Exploded view of light head to bezel kit

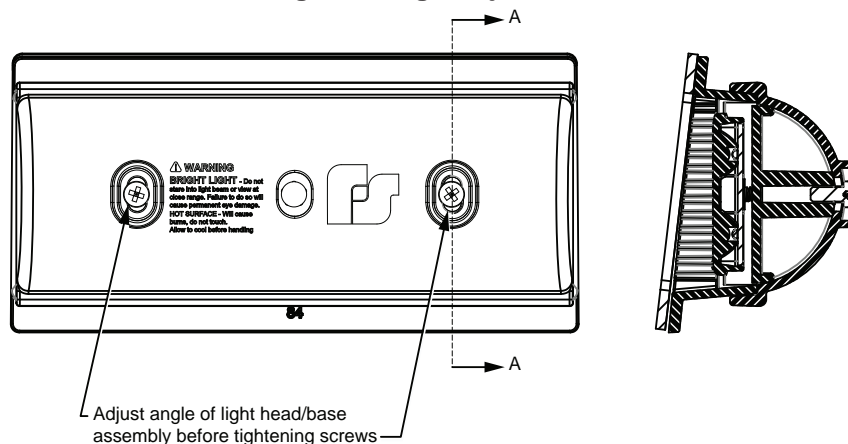


Adjusting the Angle

The light head is adjustable vertically +/- 10° inside the bezel assembly even after the light head is inside the bezel. To adjust the angle:

1. Slightly loosen the two screws that fasten the light head to the rear housing.
2. Tilt the assembly up or down to the desired location.
3. Once the desired angle is achieved, hand-tighten screws until they are snug. See Figure 2.

Figure 2 Angle adjustment



Cleaning the Light Heads

Periodically cleaning the light heads using proper procedures and compatible cleaners will prolong their service life.

NOTICE

CRAZING/CLEANING SOLUTIONS: *The use of cleaning solutions, such as strong detergents, solvents, and petroleum products, can cause crazing (cracking) of the light bar lens and reflectors. To clean the reflectors, use a soft, damp cloth. To clean the lens, use a soft cloth and a solution of water and a mild detergent.*

⚠ WARNING

CRAZING/CHEMICALS: *Crazed, cracked, or faded lenses or reflectors reduce the light output and the effectiveness of the lighting system. A lens or reflectors showing this type of aging must be replaced. Failure to follow this warning may result in bodily injury or death.*

Getting Technical Support

For technical support, please contact:

Federal Signal Corporation
Service Department
Phone: 1-800-433-9132
Email: empSERVICEINFO@fedSIG.COM

Limited Warranty

This product is subject to and covered by a limited warranty, a copy of which can be found at www.fedsig.com/SSG-Warranty. A copy of this limited warranty can also be obtained by written request to Federal Signal Corporation, 2645 Federal Signal Drive, University Park, IL 60484, email to info@fedsig.com or call +1 708-534-3400.

This limited warranty is in lieu of all other warranties, express or implied, contractual or statutory, including, but not limited to the warranty of merchantability, warranty of fitness for a particular purpose and any warranty against failure of its essential purpose.



FEDERAL SIGNAL
Safety and Security Systems
2645 Federal Signal Drive
University Park, Illinois 60484-3167

www.fedsig.com

Customer Support

Police/Fire-EMS: 800-264-3578 • +1 708 534-3400

Work Truck: 800-824-0254 • +1 708 534-3400

Technical Support: 800-433-9132 • +1 708 534-3400

© Copyright 2020-2024 Federal Signal Corporation

All product names or trademarks are properties of their respective owners.