



**FEDERAL SIGNAL**  
Safety and Security Systems

# Wedge Mounting Kits for MicroPulse® Light Heads on an Angled Vehicle Surface

---

## ***Installation Instructions***

25500041

Rev. A5 0823

Printed in U.S.A.

© Copyright 2015-2023 Federal Signal Corporation

## Limited Warranty

This product is subject to and covered by a limited warranty, a copy of which can be found at [www.fedsig.com/SSG-Warranty](http://www.fedsig.com/SSG-Warranty). A copy of this limited warranty can also be obtained by written request to Federal Signal Corporation, 2645 Federal Signal Drive, University Park, IL 60484, email to [info@fedsig.com](mailto:info@fedsig.com) or call +1 708-534-3400.

This limited warranty is in lieu of all other warranties, express or implied, contractual or statutory, including, but not limited to the warranty of merchantability, warranty of fitness for a particular purpose and any warranty against failure of its essential purpose.



## **FEDERAL SIGNAL** Safety and Security Systems

2645 Federal Signal Drive  
University Park, Illinois 60484

[www.fedsig.com](http://www.fedsig.com)

Customer Support

Police/Fire-EMS: 800-264-3578 • +1 708 534-3400

Work Truck: 800-824-0254 • +1 708 534-3400

Technical Support 800-433-9132 • +1 708 534-3400

All trademarks are property of their respective owners.

---

## Contents

Safety Messages for Installers of Warning Lights .....	4
Product Overview .....	5
Unpacking the Kit .....	5
Preparing the Light Head .....	7
Mounting the Light Heads .....	9
Getting Repair Service .....	11
Ordering Replacement Parts .....	11

### Tables

Table 1 MPSM3-SPACRKT mounting kit.....	5
Table 2 MPSM6-SPACRKT mounting kit.....	5
Table 3 MPSM12-SPACRKT mounting kit.....	5
Table 4 MPSMW9-SPACRKT mounting kit .....	6
Table 5 MPSM3U-SPACRKT mounting kit .....	6
Table 6 MPSM6U-SPACRKT mounting kit .....	6
Table 7 MPSM12U-SPACRKT mounting kit .....	6
Table 8 MPSM650-SPACRKT mounting kit.....	6
Table 9 MPSMC-SPACRKT mounting kit .....	6
Table 10 MPSMW6-SPACRKT mounting kit .....	6
Table 11 MPSM3UC-SPACRKT mounting kit.....	7
Table 12 MPSMW9-SPACRKT2 mounting kit .....	7

### Figures

Figure 1 Mating pins on the wedges.....	8
Figure 2 MicroPulse® secured to mounting surface .....	8
Figure 3 MicroPulse® secured to mounting surface .....	10

## **Safety Messages for Installers of Warning Lights**

### **⚠ WARNING**

People's lives depend on your safe installation of our products. It is important to read, understand and follow all instructions shipped with the products. Listed below are some other important safety instructions and precautions you should follow:

- To properly install the light, you must have a good understanding of automotive electrical procedures and systems, along with proficiency in the installation and use of safety warning equipment.
- Do not install equipment or route wiring in the deployment path of an airbag.
- If a vehicle seat is temporarily removed, verify with the vehicle manufacturer if the seat needs to be recalibrated for proper airbag deployment.
- When drilling into a vehicle structure, ensure that both sides of the surface are clear of anything that could be damaged.
- Locate the light control so the VEHICLE and CONTROL can be operated safely under all driving conditions.
- Do not attempt to activate or deactivate the light control while driving in a hazardous situation.
- Frequently inspect the light to ensure that it is operating properly and is securely attached to the vehicle.
- This product mounts high-intensity LEDs. Do not stare directly into the lights at a close range, or permanent damage to your eyesight may occur.
- Refer to the instructions packed with related products for additional precautions and information.
- File these instructions in a safe place and refer to them when maintaining and/or reinstalling the product.

Failure to follow all safety precautions and instructions may result in property damage, serious injury, or death.

### Product Overview

These instructions describe how to use the wedge kits to mount MicroPulse® LED light heads to an angled vehicle surface. The wedge kits, specifically designed for each light head configuration, are shown in Table 1. For electrical installation instructions, refer to the instructions included with the light head.

### Unpacking the Kit

After unpacking the product, inspect it for damage that may have occurred in transit. If it has been damaged or is missing a part, do not attempt to install or operate it. File a claim immediately with the carrier, stating the extent of the damage. Carefully check all envelopes, shipping labels and tags before removing or destroying them. Ensure that all parts in Table 1 have been included. If you are missing any parts, contact Customer Support at 1-800-264-3578, 7 a.m. to 5 p.m., Monday through Friday (CT).

**Table 1 MPSM3-SPACRKT mounting kit**

Qty.	Description	Part Number
4	Wedges, 5 Degrees	861300144
4	Screw, Self-Threading, #6	7011205-24

**Table 2 MPSM6-SPACRKT mounting kit**

Qty.	Description	Part Number
4	Wedges, 5 Degrees	861300145
4	Screw, Self-Threading, #6	7011205-24

**Table 3 MPSM12-SPACRKT mounting kit**

Qty.	Description	Part Number
4	Wedges, 5 Degrees	861300366
4	Screw, Self-Threading, #6	7011205-24

**Table 4 MPSMW9-SPACRKT mounting kit**

<b>Qty.</b>	<b>Description</b>	<b>Part Number</b>
4	Wedges, 5 Degrees	861300882
4	Screw, Self-Threading, #6	7011205-24

**Table 5 MPSM3U-SPACRKT mounting kit**

<b>Qty.</b>	<b>Description</b>	<b>Part Number</b>
4	Wedges, 5 Degrees	861301115
4	Screw, Self-Threading, #6	7011205-24

**Table 6 MPSM6U-SPACRKT mounting kit**

<b>Qty.</b>	<b>Description</b>	<b>Part Number</b>
4	Wedges, 5 Degrees	861300881
4	Screw, Self-Threading, #6	7011205-24

**Table 7 MPSM12U-SPACRKT mounting kit**

<b>Qty.</b>	<b>Description</b>	<b>Part Number</b>
4	Wedges, 5 Degrees	861301114
4	Screw, Self-Threading, #6	7011205-24

**Table 8 MPSM650-SPACRKT mounting kit**

<b>Qty.</b>	<b>Description</b>	<b>Part Number</b>
4	Wedges, 5 Degrees	861301782
4	Screw, Self-Threading, #6	7011205-24

**Table 9 MPSMC-SPACRKT mounting kit**

<b>Qty.</b>	<b>Description</b>	<b>Part Number</b>
4	Wedges, 5 Degrees	861302112
4	Screw, Self-Threading, #6	7011205-24

**Table 10 MPSMW6-SPACRKT mounting kit**

<b>Qty.</b>	<b>Description</b>	<b>Part Number</b>
4	Wedges, 5 Degrees	861302072
4	Screw, Self-Threading, #6	7011205-24

**Table 11 MPSM3UC-SPACRKT mounting kit**

Qty.	Description	Part Number
4	Wedges, 5 Degrees	861304063
4	Screw, Self-Threading, #6	7011205-24

**Table 12 MPSMW9-SPACRKT2 mounting kit**

Qty.	Description	Part Number
2	Wedges, 22 Degrees	861304396
4	Screw, Self-Threading, #6	7011205-24

## Preparing the Light Head

**IMPORTANT:** Plan all cable routing before the installation.

Tools required:

- Hammer
- Center punch
- Drill
- 7/64-inch drill bit
- 1/8-inch drill bit
- 1/2-inch drill bit
- Phillips screwdriver

### **⚠ WARNING**

**AIRBAG DEPLOYMENT:** Do not install equipment or route wiring in the deployment path of an airbag. Failure to observe this warning will reduce the effectiveness of the airbag or potentially dislodge the equipment, causing serious injury or death.

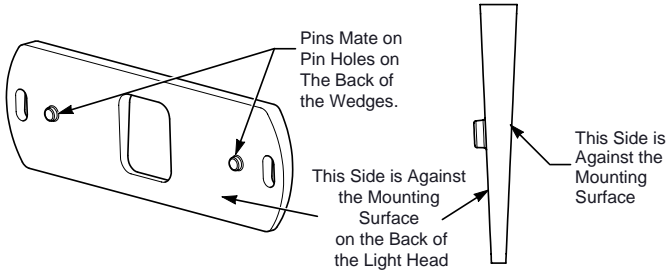
**NOTE:** Four wedges, which angle the light head at 20 degrees, is the recommended limit.

## Preparing the Light Head

To prepare the light head:

1. Examine the wedge. Note that one side has two pins. The side with the pins fits against the back of the light head. The pinhole side fits flat against the mounting surface. See Figure 1.

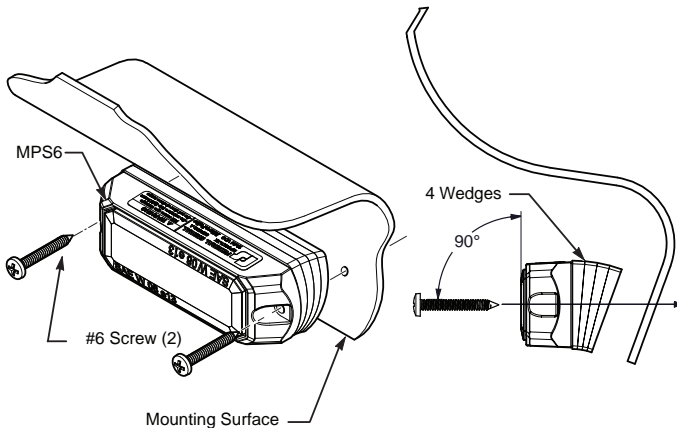
**Figure 1 Mating pins on the wedges**



To secure multiple wedges together, the pins of one wedge mate with the pin holes of another.

2. Select the mounting location.
3. Hold the light head with the required number of wedges on the mounting location.
4. Using the wedges and light head as a template, mark the screw locations so that the screws are perpendicular, or 90 degrees, to the front of the light head. See Figure 2.

**Figure 2 MicroPulse® secured to mounting surface**





5. Remove the wedges.

### Mounting the Light Heads

To mount the light heads with one or more wedges:

1. Depending on the thickness and the type of material of the mounting surface, select a 7/64-inch bit or a 1/8-inch bit.

#### **NOTICE**

***DRILLING PRECAUTIONS: When drilling holes, check the area you are drilling into to ensure that you do not damage vehicle components while drilling. All drilled holes should be deburred, and all sharp edges should be smoothed. All wire routings going through drilled holes should be protected by a grommet or convolute/split loom tubing.***

2. With the drill perpendicular to where the front of the light head would be, drill holes for the mounting kit screws.
3. Drill a 1/2-inch hole through which the wires will pass.
4. Prepare the wire-routing hole by removing all burrs and sharp edges.
5. Feed the wires through the wedges and the wire-routing hole.
6. Connect the wire leads as described in the MicroPulse® installation manual, taking care to protect the connections from the environment.

#### **NOTICE**

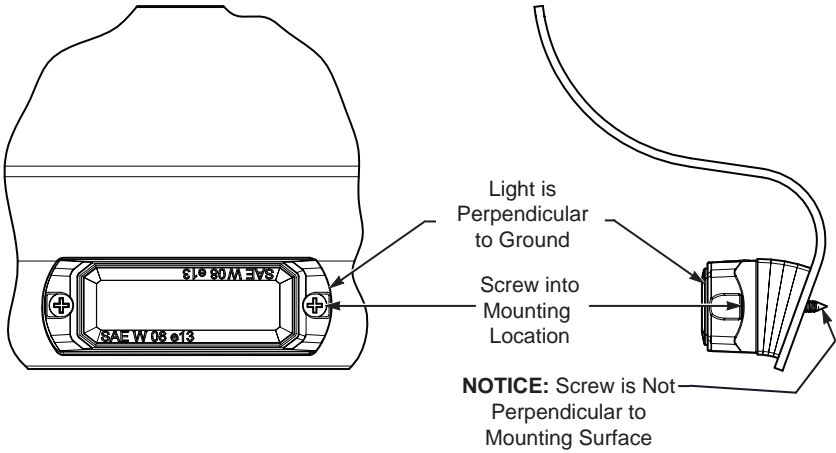
***DO NOT OVERTIGHTEN THE SCREWS: To avoid damage to the light head, do not overtighten the screws.***

## Mounting the Light Heads

---

7. Attach the light head and wedges to the mounting surface with the provided #6 self-threading screws. See Figure 3.

**Figure 3 MicroPulse® secured to mounting surface**



### Getting Technical Support and Service

For technical support and service, please contact:

Federal Signal Corporation  
Service Department  
Phone: 1-800-433-9132  
Email: [empserviceinfo@fedsig.com](mailto:empserviceinfo@fedsig.com)

### Getting Repair Service

The Federal Signal factory provides technical assistance with any problems that cannot be handled locally.

Any units returned to Federal Signal for service, inspection, or repair must be accompanied by a Return Material Authorization (RMA). Obtain a RMA from a local Distributor or Manufacturer's Representative.

Provide a brief explanation of the service requested, or the nature of the malfunction.

Address all communications and shipments to the following:

Federal Signal Corporation  
Service Department  
2645 Federal Signal Drive  
University Park, IL 60484-3167

### Ordering Replacement Parts

To order replacement parts, call Customer Support at 1-800-264-3578, 7 a.m. to 5 p.m., Monday through Friday (CT) or contact your nearest distributor.



**FEDERAL SIGNAL**  
Safety and Security Systems

2645 Federal Signal Drive  
University Park, Illinois 60484

[www.fedsig.com](http://www.fedsig.com)

Customer Support

Police/Fire-EMS:

Work Truck:

Technical Support

800-264-3578 • +1 708 534-3400

800-824-0254 • +1 708 534-3400

800-433-9132 • +1 708 534-3400