



PAGASYS GEN II Access Panel Mounting Feet

Description and Installation Manual

Limited Warranty

This product is subject to and covered by a limited warranty, a copy of which can be found at www.fedsig.com/SSG-Warranty. A copy of this limited warranty can also be obtained by written request to Federal Signal Corporation, 2645 Federal Signal Drive, University Park, IL 60484, email to info@fedsig.com or call +1 708-534-3400.

This limited warranty is in lieu of all other warranties, express or implied, contractual or statutory, including, but not limited to the warranty of merchantability, warranty of fitness for a particular purpose and any warranty against failure of its essential purpose.



FEDERAL SIGNAL
Safety and Security Systems

2645 Federal Signal Drive
University Park, Illinois 60484

www.fedsig.com

Technical Support 800-524-3021 (US) • +1 708-534-4790 (International)

All product names or trademarks are properties of their respective owners.

Contents

1.0 Safety Messages	4
1.1 Hazard Classification.....	5
2.0 Product Overview	6
3.0 Unpacking the Product	6
4.0 Installation	6
5.0 Getting Technical Support	8

Figures

Figure 1 Picture of Access Panel	6
Figure 2 Open Enclosure	6
Figure 3 Remove the rubber feet	7
Figure 4 Apply rubber washer to the metal foot	7
Figure 5 Slide stud into the hole	8
Figure 6 Reattach the rear gland plate and keypad	8

1.0 Safety Messages

⚠ WARNING

It is important to follow all instructions shipped with this product. This device is to be installed by trained personnel who are thoroughly familiar with the country electric codes and will follow these guidelines as well as local codes and ordinances, including any state or local-noise control ordinances.

The selection of the device's mounting location, controls, and wiring routing is to be accomplished under the direction of the facilities engineer and the safety engineer. In addition, listed below are some other important safety instructions and precautions you should follow:

- Read and understand all instructions before installing or operating this equipment.
- Disconnect the unit from the power supply before performing any installation or maintenance.
- Establish a procedure to check the installation for integrity and proper operation routinely.
- The product marking, which may contain cautionary or other information of importance to maintenance personnel, should not be obscured in any way.
- Any maintenance to the unit must be performed by properly trained personnel.
- Any maintenance to the unit must be done with the power turned off.
- Do not service the unit when a hazardous atmosphere is present.
- Never alter the unit in any manner. Safety may be endangered if alterations are made to the unit.
- Only factory-provided service parts are to be used. Only these components have been verified and certified for use in hazardous areas.
- No repairs or modifications are to be made to the ACCESS PANELS and microphone stations, as this will invalidate the certification.
- After installing or servicing the unit, test it to ensure it operates properly.
- After testing is complete, provide a copy of this instruction sheet to all operating personnel.
- To reduce the risk of electrostatic discharge, wipe the unit with a damp cloth only.
- Electrical connections are to be made to the Federal Signal Model P-IS-BARRIER-G. This Zener Barrier type equipment is coded [Ex ib Gb] IIB. It is covered by certificates Baseefa 18ATEX0112X and IECEx BAS 18.0073X. These certificates are related and should be reviewed before installation.

Failure to follow all precautions may cause property damage, serious injury, or death.

1.1 Hazard Classification

Federal Signal uses signal words to identify the following:

▲ DANGER

DANGER indicates a hazardous situation which, if not avoided, will result in death or serious injury.

▲ WARNING

WARNING indicates a hazardous situation which, if not avoided, could result in death or serious injury.

▲ CAUTION

CAUTION indicates a hazardous situation which, if not avoided, could result in minor or moderate injury.

NOTICE

NOTICE is used to address practices not related to physical injury.

Read and understand the information contained in this manual before attempting to deploy or service the siren.

Pay careful attention to notices located on the equipment.

2.0 Product Overview

The PAGASYS GEN II system uses low-profile Access Panels and microphone stations for Intrinsically Safe (IS) and safe areas. Each Access Panel provides independent circuitry to support redundant A/B systems and offers a standard microphone for the redundant systems.

Figure 1 Picture of Access Panel



3.0 Unpacking the Product

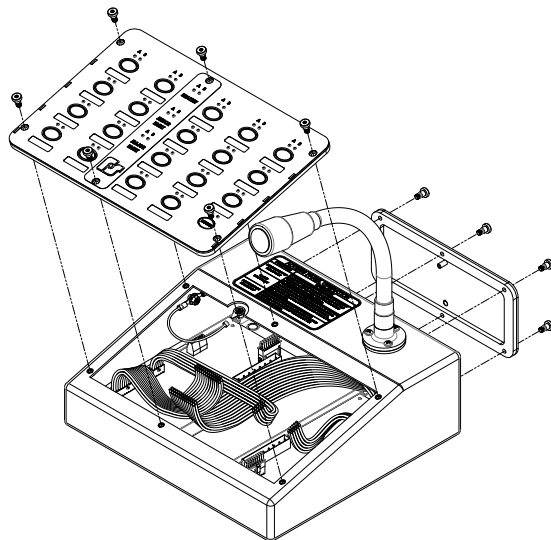
After unpacking the product, examine it for damage that may have occurred in transit. If the product has been damaged, do not attempt to install or operate it. File a claim immediately with the carrier stating the extent of the damage. Carefully check all envelopes, shipping labels, and tags before removing or destroying them. If any parts are missing, please call 1-800-524-3021 or email TechSupport@fedsig.com.

4.0 Installation

To install the Access Panel Foot:

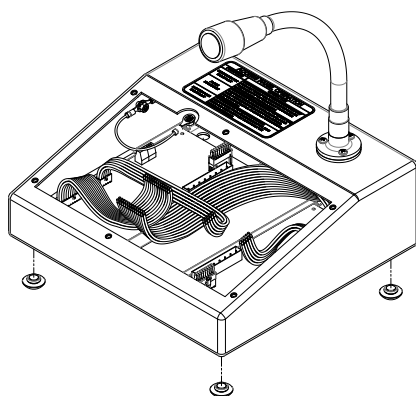
- 1.** Turn off all power coming into the desk mount access panel.
- 2.** Remove the access panel keypad and rear gland plate to reveal the inside of the enclosure.

Figure 2 Open Enclosure



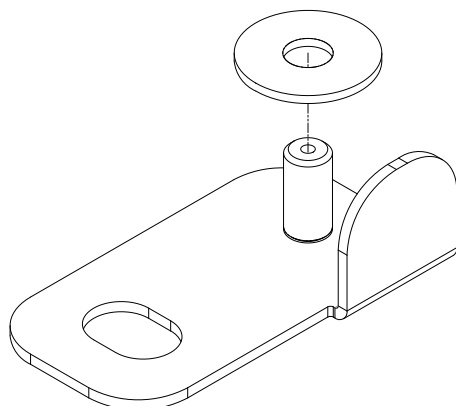
3. Remove the rubber feet on the enclosure by pressing the interior rubber ledge and peeling the rubber edge on the outside.

Figure 3 Remove the rubber feet



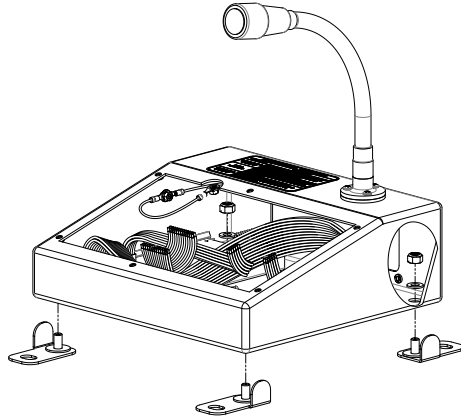
4. Remove the paper on the rubber washer to expose the PSA backing and apply it to the metal foot.

Figure 4 Apply rubber washer to the metal foot



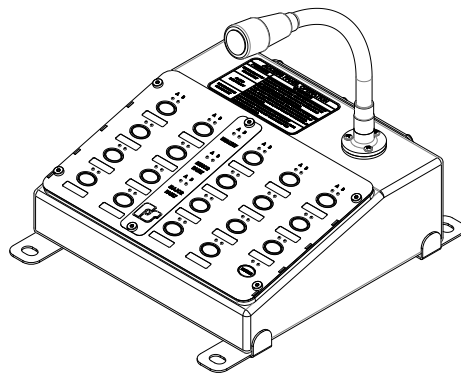
5. Once rubber washers are on metal feet, slide the stud into the hole in the bottom of the enclosure and secure the foot with the washer and locknut. Ensure the mounting foot is secure.

Figure 5 Slide stud into the hole



6. Reattach the rear gland plate and keypad.

Figure 6 Reattach the rear gland plate and keypad



5.0 Getting Technical Support

For technical support, contact:

Federal Signal
Technical Support
Phone: 800-524-3021 or 708-534-4790
Email: techsupport@fedsig.com
www.fedsig.com