

## Safety Message to Installers of Warning Light Equipment

### **⚠ WARNING**

People's lives depend on your proper installation and servicing of Federal Signal products. It is important to read and follow all instructions shipped with this product and the original product. Listed below are some other important safety instructions and precautions you should follow:

- To properly install the lighting system, you must have a good understanding of automotive systems, along with proficiency in the installation and use of safety warning equipment.
- Do not install equipment or route wiring in the deployment path of an airbag.
- If a vehicle seat is temporarily removed, verify with the vehicle manufacturer if the seat needs to be recalibrated for proper airbag deployment.
- When drilling into a vehicle structure, ensure that both sides of the surface are clear of anything that could be damaged.
- Do not stare directly into the lights at a close range, or permanent damage to your eyesight may occur.
- Frequently inspect the light system to ensure that it is operating properly and that it is securely attached to the vehicle.
- Refer to the instructions packed with related products for additional precautions and information.
- File these instructions in a safe place and refer to them when maintaining and/or reinstalling the product.

Failure to follow all safety precautions and instructions may result in property damage, serious injury, or death.

### **Introduction**

This publication covers the installation of the Federal Signal SIFM Center-Focused SpectraLux® ILS warning light system in the front headliner of various vehicles. The mounting options are configured with the product. All mounting systems consist of aluminum shrouds and steel mounting brackets, all of which are powder coated. Mounting hardware is included with each kit.

### **Unpacking the Kit**

For a parts list for your application, see the tables starting on page 8. After unpacking the kit, inspect it for damage that may have occurred in transit. If it has been damaged, do not attempt to install or operate it. File a claim immediately with the carrier, stating the extent of damage. Carefully check all envelopes, shipping labels, and tags before removing or destroying them. Ensure that the parts in the Kit Contents List are included in the package. If you are missing any parts, contact Customer Support at 1-800-264-3578, 7 a.m. to 5 p.m., Monday through Friday (CT).

## Installing the SIFM ILS Light Bar

**⚠ WARNING**

**AIRBAG DEPLOYMENT:** Do not install equipment or route wiring in the deployment path of an airbag. Failure to observe this warning will reduce the effectiveness of the airbag or potentially dislodge the equipment, causing serious injury or death.

**NOTICE**

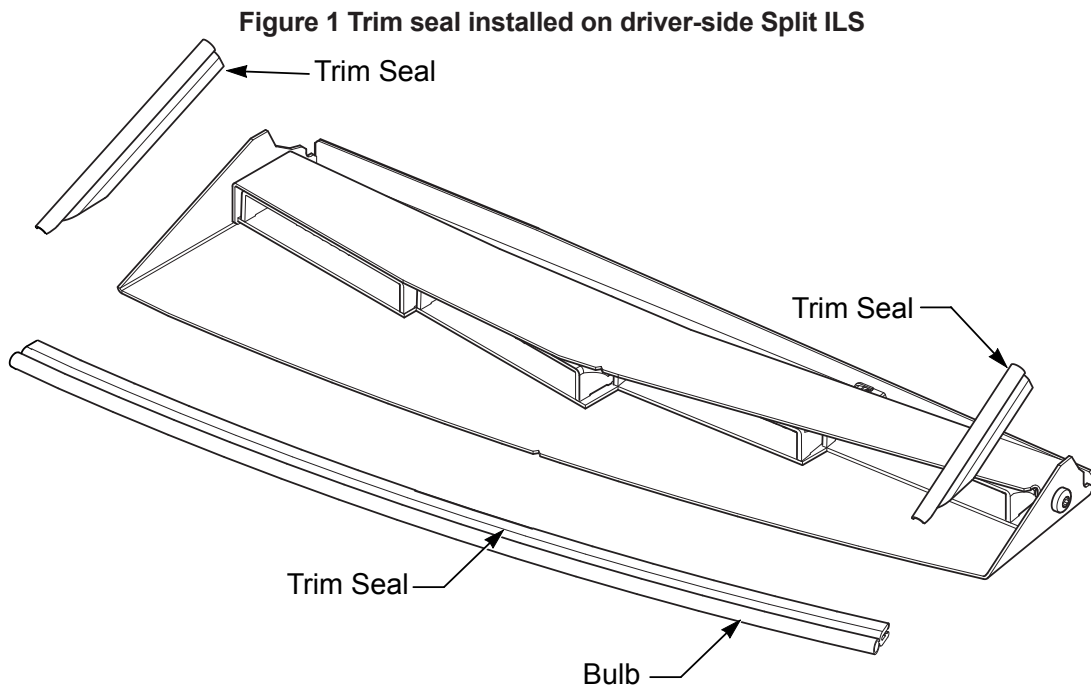
**DRILLING PRECAUTIONS:** When drilling holes, check the area you are drilling into to ensure that you do not damage vehicle components while drilling. All drilled holes should be deburred, and all sharp edges should be smoothed. All wire routings going through drilled holes should be protected by a grommet or convolute/split loom tubing.

**IMPORTANT:** Plan all cable routing before the installation. For wiring instructions, refer to instruction sheet 25500312.

**NOTE:** The brackets shown vary with the application. For the kit contents lists see the tables starting on page 8.

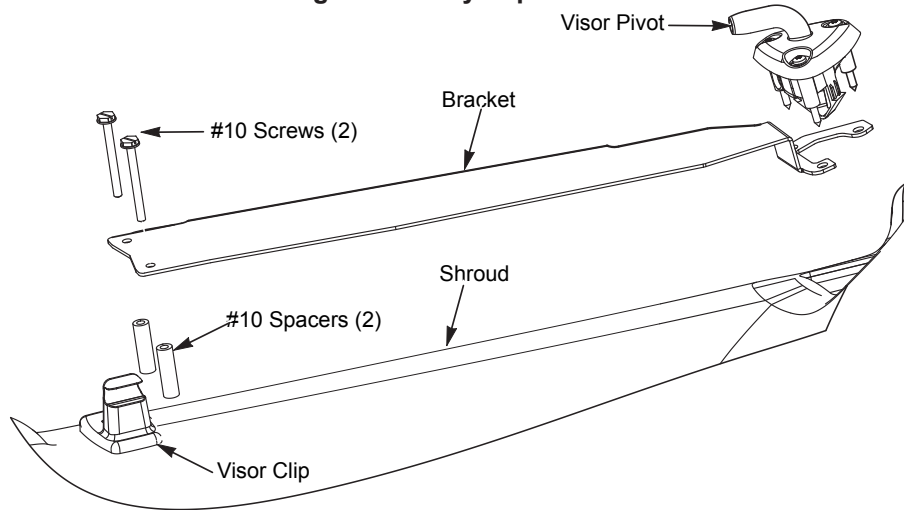
To mount a vehicle-specific ILS light bar:

1. Install the trim seal on the edges of the shroud(s) that contact the windshield. Cut the strip to fit. See Figure 1.



2. Start the #10 screws into the bottom of the shroud. Leave a clearance gap so the brackets can slide onto the sun-visor pivots. See Figure 2.

Figure 2 Chevy Express Van



3. Following the manufacturer's service procedure, loosen the sun-visor pivot and remove the inner sun-visor clip.
4. Slide the bracket onto the back of the sun-visor pivot(s).
5. Place the bracket on the back of the inner sun-visor clip, and insert and tighten the screw just enough to allow for adjustment.

**NOTE:** For the Dodge Charger, a longer #8 screw is provided.

**NOTE:** For the Ford® Fusion, two #8 screws are provided to secure the outer end of the bracket. Position the bracket under the pivot flange as shown, mark and drill two 0.136-inch holes using a #29 drill bit, drill holes and secure the bracket with the provided screws. See Figure 2.

The Ford Edge is similar, but the bracket goes around, and not under, the pivot flange.

**NOTE:** For the Chevy Express Van, two #10 screws and spacers are provided to secure the inner end of the bracket. Position the bracket under the visor pivot as shown. Mark and drill two 5/32-inch holes in the roof rail. Enlarge the holes in the headliner for the spacer to pass through. Secure with the screws and spacers as shown in Figure 2.

**NOTE:** For the 2020 Ford Police Interceptor Utility, to ensure proper fit, the bracket must be positioned at the REAR half of the outer visor pivots. See Figure 3.

Figure 3 Position of 2020 Ford Police Interceptor Utility



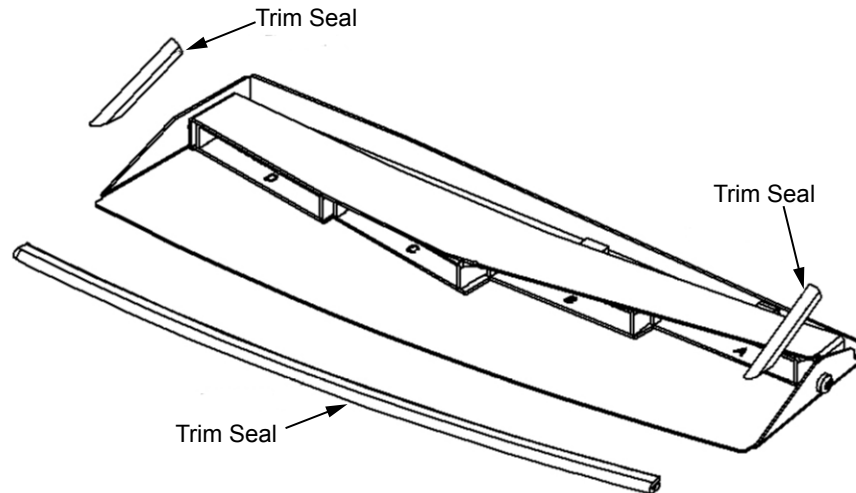
## Mounting Instructions for the SpectraLux® SIFM ILS

---

Refer to the installation kit contents lists starting on page 8.

- Slide the shroud into the brackets.
- Ensure that the shroud is tight against the windshield and headliner. The sealing strip may require additional trimming. The SIFM ILS usually fits most tightly if the bulb on the angled-side trim is split lengthwise near the pinch weld. In some cases, the bulb may be removed completely.

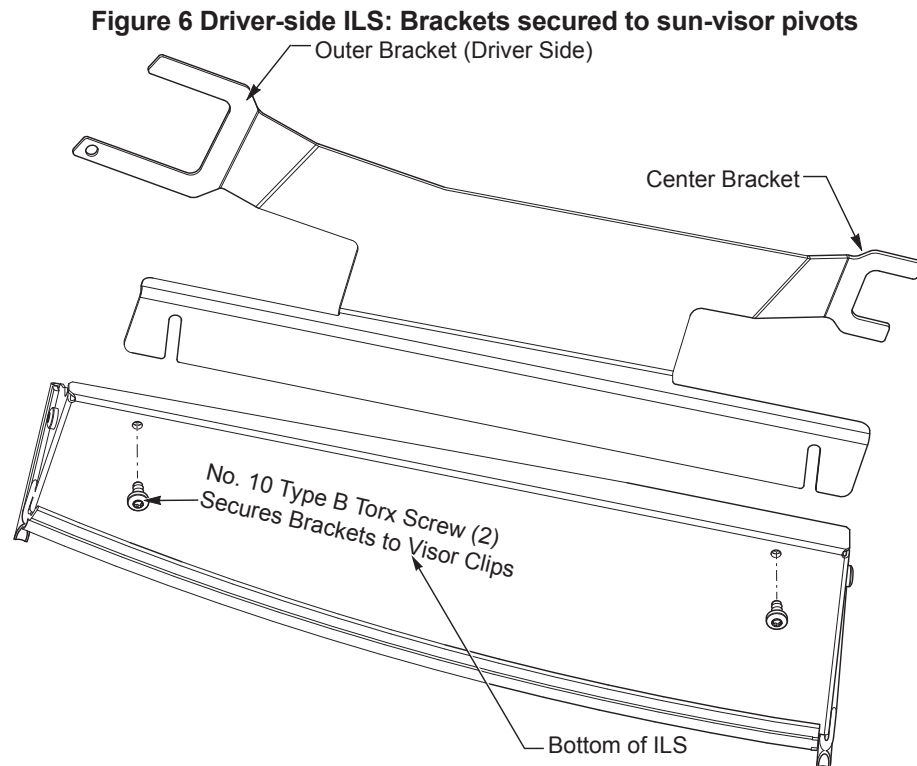
**Figure 4 Trim seal, with bulb removed, installed on driver-side Split ILS**



- Tighten all hardware. **Do not overtighten.**
- Split ILS only:** Repeat the installation on the other side.

**Figure 5 Position of the Ford Fusion Bracket**



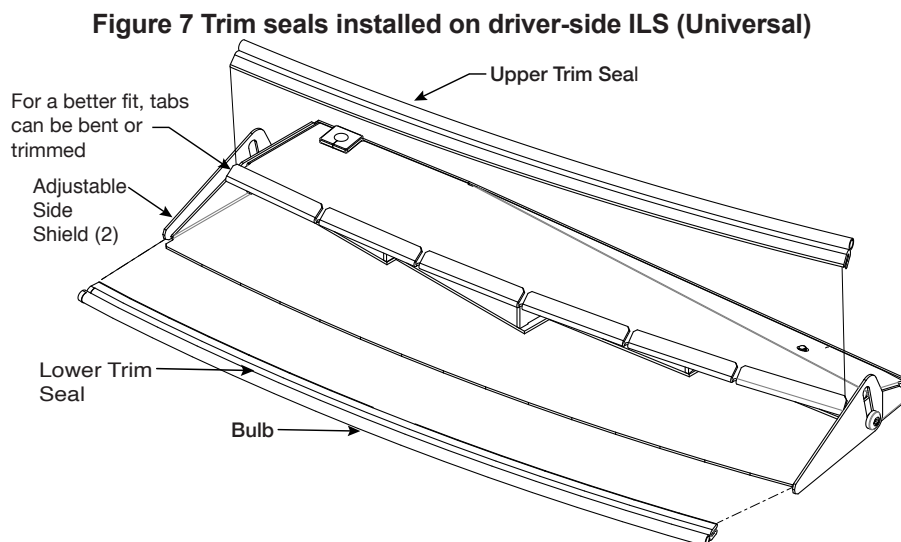


### Installing the Universal SIFM ILS Light Bar

**NOTE:** The following steps are general; your installation may vary. The brackets supplied with the Universal kit can be bent, cut, drilled, or modified as needed for installation. If a tight fit to the windshield is unobtainable with the 6 mm bulb trim-seal, a trim seal with a 1-3/4-inch flap can be purchased separately (77700418-56). This longer flap can be trimmed to fit.

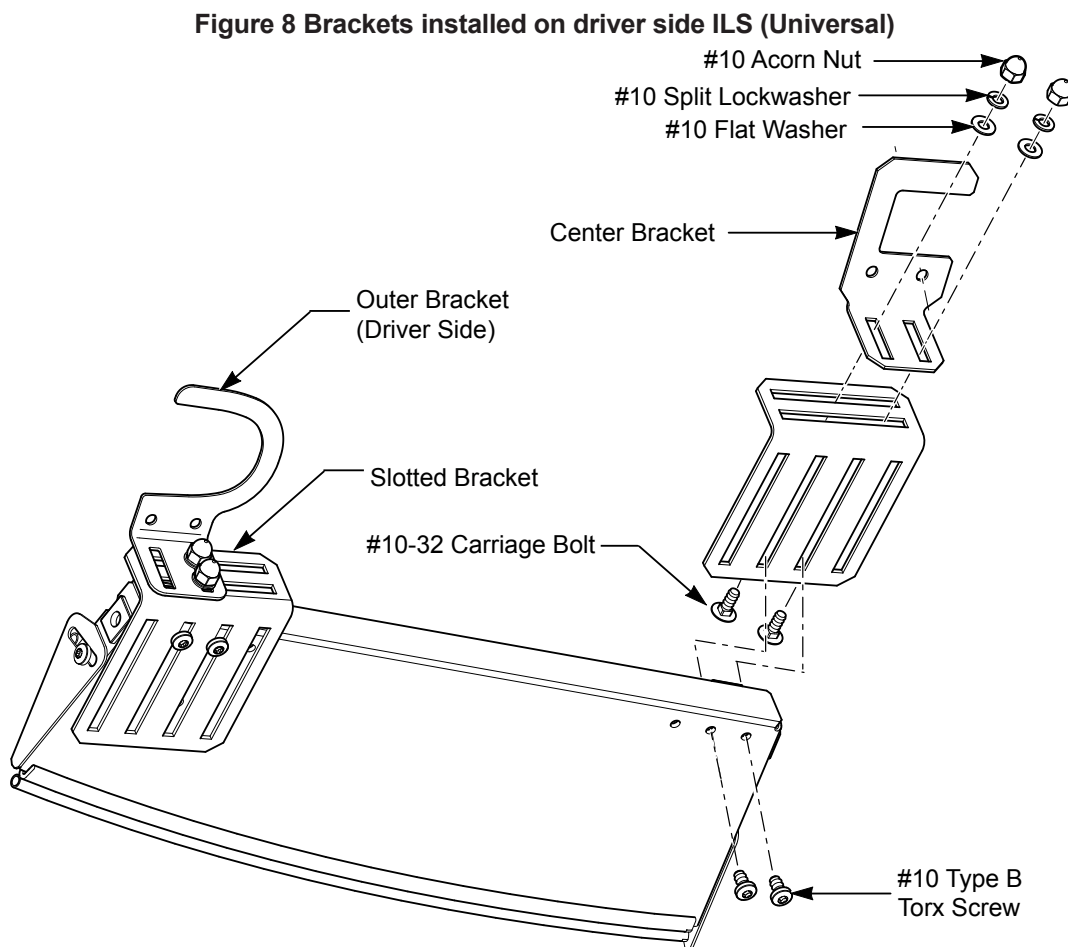
To mount the universal SIFM ILS light bar:

1. Install the trim seal on the upper and lower edges of the shroud(s) that contact the windshield. See Figure 7.



## Mounting Instructions for the SpectraLux® SIFM ILS

- Loosen the screws securing the side shields so the shields do not interfere with the windshield at this time.
- Following the manufacturer's service procedure, loosen the sun visor(s) and the sun visor clip(s). Remove only if necessary.
- Slide the outer brackets on the back of the sun-visor pivot(s).
- Slide the inner brackets on the back of the sun-visor clip(s).
- Determine the optimum combination of slots and holes in the shroud to locate the ILS left to right. Start the #10 screws through each slotted bracket into the shroud.
- Attach the slotted brackets to inner and outer brackets with the #10-32 carriage bolts, nuts, locks, and washers.
- Ensure that the shroud is tight against the windshield. The sealing strip may require additional trimming. In some cases the bulb may be removed completely. The tabs on the upper shroud can be bent or trimmed to improve the fit.
- Adjust all bracket positions as needed, and then tighten all mounting hardware. **Do not overtighten.**
- Slide the side shields up to the windshield and tighten the screws.





**Kit Contents Lists**

For the contents of the kit specific to your vehicle or application, see the following tables.

<b>Universal Kit Contents</b>			
SIFMP (Pass.) Qty.	SIFMS (Split) Qty.	Part No.	Description
8	8	70100487-08	Bolt, Carriage, #10-32, SS
6	12	7011246-06	Screw, #10 Type B, Pan Torx, SS
4	8	70500506	Nut, Acorn, #10-32, SS
4	8	7072A015	Washer, Flat, #10, SS
4	8	7074A010	Lock washer, Split SS, #10 Screw
1	1	77700500-56	Trim Seal, 1/16 in Edge, 6 mm Bulb
1	1	8620006-01	Fuse Kit
--	1	862401699	Shroud Assembly, Driver Side, Universal
1	1	862401700	Shroud Assembly, Passenger-Side, Universal
--	1	862401701	Shroud, Universal Upper, Driver Side
1	1	862401702	Shroud, Universal Upper, Passenger Side
2	4	862401206	Shield, Side, Universal
2	4	862401207	Bracket, Slotted, Universal
--	1	862401208	Bracket, Center, Driver Side, Universal
1	1	862401209	Bracket, Center, Passenger Side, Universal
--	1	862401210	Bracket, Outer, Driver Side, Universal
1	1	862401211	Bracket, Outer, Passenger Side, Universal
2	4	862402417	Bracket, Slot, Small, Universal
--	1	862402418	Bracket, Center, Driver Side, Small, Universal
1	1	862402419	Bracket, Center, Passenger Side, Small, Universal
--	1	862402420	Bracket, Outer, Driver Side, Small, Universal
1	1	862402421	Bracket, Outer, Passenger Side, Small, Universal

<b>2016 Camaro Kit Contents</b>			
SIFMP (PASS) Qty.	SIFMS (SPLIT) Qty.	Part No.	Description
-	1	862403830	Shroud Assembly, Driver Side, 16CAM
1	1	862403831	Shroud Assembly, Passenger Side, 16CAM
-	1	862403832	Cover, Driver Side, 16CAM
1	1	862403833	Cover, Passenger Side, 16CAM
-	1	862403834	Bracket, Driver Side, 16CAM
1	1	862403835	Bracket, Passenger Side, 16CAM
1	1	77700500-56	Trim Seal, 1/16-inch Edge, 6 mm Bulb
1	1	8620006-01	Fuse Kit
4	8	7011246-06	Screw, #10, Type B, 6-Lobe, Black

## Mounting Instructions for the SpectraLux® SIFM ILS

2022 Camry Kit Contents			
SIFMP (PASS) Qty.	SIFMS (SPLIT) Qty.	Part No.	Description
-	1	862402639	Shroud Assembly, Driver Side, 18CMRY
1	1	862402640	Shroud Assembly, Passenger Side, 18CMRY
-	1	862402641	Cover, Driver Side, 18CMRY
1	1	862402642	Cover, Passenger Side, 18CMRY
-	1	862404067	Bracket, Driver Side, 22CMRY
1	1	862404068	Bracket, Passenger Side, 22CMRY
1	1	77700500-56	Trim Seal, 1/16-inch Edge, 6 mm Bulb
1	1	8620006-01	Fuse Kit
4	8	7011246-06	Screw, #10, Type B, 6-Lobe, Black
3	6	70001126A-10	SCREW, TYP AB, #8, PAN HD, PHIL, STEEL, BLK OX

2021 Tahoe Kit Contents			
SIFMP (Pass.) Qty.	SIFMS (SPLIT) Qty.	Part No.	Description
--	1	862403420	Shroud Assembly, Driver Side, 21TAH
1	1	862403421	Shroud Assembly, Passenger Side, 21TAH
--	1	862403422	Cover, Driver Side, 21TAH
1	1	862403423	Cover, Passenger Side, 21TAH
--	1	862403424	Bracket, Driver Side, 21TAH
1	1	862403425	Bracket, Passenger Side, 21TAH
1	1	77700500-56	Trim Seal, 1/16-inch Edge, 6 mm Bulb
1	1	8620006-01	Fuse Kit
4	8	7011246-06	Screw, #10, Type B, 6-Lobe, Black

2020 Escape Kit Contents			
SIFMP (Pass.) Qty.	SIFMS (Split) Qty.	Part No.	Description
--	1	862403337	Shroud Assembly, Driver Side, 20ESC
1	1	862403338	Shroud Assembly, Passenger Side, 20ESC
--	1	862403339	Cover, Driver Side, 20ESC
1	1	862403340	Cover, Passenger Side, 20ESC
--	1	862403341	Bracket, Driver Side, 20ESC
1	1	862403342	Bracket, Passenger Side, 20ESC
1	1	77700500-56	Trim Seal, 1/16-inch Edge, 6 mm Bulb
1	1	8620006-01	Fuse Kit
4	8	7011246-06	Screw, #10, Type B, 6-Lobe, Black
--	2	228140	Grommet, Square, Split
1	--	228140-01	Grommet, Square, Plug



<b>2020 Interceptor Utility Kit Contents</b>			
SIFMP (Pass.) Qty.	SIFMS (SPLIT) QTY	Part No.	Description
--	1	862403060	Shroud Assembly, Driver Side, 20FPIU
1	1	862403061	Shroud Assembly, Passenger Side, 20FPIU
--	1	862403062	Cover, Driver Side, 20FPIU
1	1	862403063	Cover, Passenger Side, 20FPIU
--	1	862403064	Bracket, Driver Side, 20FPIU
1	1	862403065	Bracket, Passenger Side, 20FPIU
1	1	77700500-56	Trim Seal, 1/16 Edge, 6mm Bulb
1	1	8620006-01	Fuse Kit
4	8	7011246-06	Screw, #10 Type B, 6-Lobe, Black
1	3	228140	Grommet, Square, Split
1	1	228140-01	Grommet, Square, Plug

<b>2019 Challenger Kit Contents</b>			
SIFMP (Pass.) Qty.	SIFMS (SPLIT) QTY	Part No.	Description
--	1	862401699	Shroud Assembly, Driver Side, Universal
1	1	862401700	Shroud Assembly, Passenger Side, Universal
--	1	8624002280	Cover, Driver Side, 17EQNX
1	1	8624002281	Cover, Passenger Side, 17EQNX
--	1	862403040	Bracket, Driver Side, 19CHLGR
1	1	862403041	Bracket, Passenger Side, 19CHLGR
1	1	77700500-56	Trim Seal, 1/16 Edge, 6mm Bulb
1	1	8620006-01	Fuse Kit
4	8	7011246-06	Screw, #10 Type B, 6-Lobe, Black
--	2	228140	Grommet, Square, Split
1	--	228140-01	Grommet, Square, Plug
2	4	862401206	Shield, Side, Universal

**Mounting Instructions for the SpectraLux® SIFM ILS**

<b>2019 Silverado Kit Contents</b>			
SIFMP (Pass.) Qty.	SIFMS (SPLIT) Qty.	Part No.	Description
--	1	862402741	Shroud Assembly, Driver Side, 19SILV
1	1	862402742	Shroud Assembly, Passenger Side, 19SILV
--	1	862402743	Cover, Driver Side, 19SILV
1	1	862402744	Cover, Passenger Side, 19SILV
--	1	862402745	Bracket, Driver Side, 19SILV
1	1	862402746	Bracket, Passenger Side, 19SILV
1	1	77700500-56	Trim Seal, 1/16-inch Edge ,6 mm Bulb
1	1	8620006-01	Fuse Kit
4	8	7011246-06	Screw, #10, Type B, 6-Lobe, Black
1	1	228140	Grommet, Square, Split
--	1	228140-01	Grommet, Square, Plug

<b>2019 Mustang Kit Contents</b>			
SIFMP (Pass.) Qty.	SIFMS (SPLIT) QTY	Part No.	Description
--	1	862401699	Shroud Assembly, Driver Side, Universal
1	1	862401700	Shroud Assembly, Passenger Side, Universal
--	1	8624002280	Cover, Driver Side, 17EQNX
1	1	8624002281	Cover, Passenger Side, 17EQNX
--	1	862403087	Bracket, Driver Side, 19MUST
1	1	862403088	Bracket, Passenger Side, 19MUST
1	1	77700500-56	Trim Seal, 1/16 Edge, 6mm Bulb
1	1	8620006-01	Fuse Kit
4	8	7011246-06	Screw, #10 Type B, 6-Lobe, Black
--	2	228140	Grommet, Square, Split
1	--	228140-01	Grommet, Square, Plug
2	4	862401206	Universal Side Shield

<b>2018 Equinox Kit Contents</b>			
SIFMP (Pass.) Qty.	SIFMS (SPLIT) Qty.	Part No.	Description
--	1	862402529	Shroud Assembly, Driver Side, 18EQNX
1	1	862402530	Shroud Assembly, Passenger Side, 18EQNX
--	1	862402531	Cover, Driver Side, 18EQNX
1	1	862402532	Cover, Passenger Side, 18EQNX
--	1	862402533	Bracket, Driver Side, 18EQNX
1	1	862402534	Bracket, Passenger Side, 18EQNX
1	1	77700500-56	Trim Seal, 1/16 Edge, 6 mm Bulb
1	1	8620006-01	Fuse Kit
4	8	7011246-06	Screw, #10 Type B, 6 Lobe, Black
--	2	228140	Grommet, Square, Split
1	--	228140-01	Grommet, Square, Plug

<b>2018 RAV4 Kit Contents</b>			
SIFMP (Pass.) Qty.	SIFMS (SPLIT) Qty.	Part No.	Description
--	1	862402616	Shroud Assembly, Driver Side, 18RAV4
1	1	862402617	Shroud Assembly, Passenger Side, 18RAV4
--	1	862402618	Cover, Driver Side, 18RAV4
1	1	862402619	Cover, Passenger Side, 18RAV4
--	1	862402620	Bracket, Driver Side, 18RAV4
1	1	862402621	Bracket, Passenger Side, 18RAV4
1	1	77700500-56	Trim Seal, 1/16 Edge, 6 mm Bulb
1	1	8620006-01	Fuse Kit
4	8	7011246-06	Screw, #10 Type B, 6 Lobe, Black
1	1	228140	Grommet, Square, Split
--	1	228140-01	Grommet, Square, Plug

**Mounting Instructions for the SpectraLux® SIFM ILS**

<b>2018 Chevy Traverse Kit Contents</b>			
SIFMP (Pass.) Qty.	SIFMS (SPLIT) Qty.	Part No.	Description
--	1	862402450	Shroud Assembly, Driver Side, 18TRAV
1	1	862402451	Shroud Assembly, Passenger Side, 18TRAV
--	1	862402452	Cover, Driver Side, 18TRAV
1	1	862402453	Cover, Passenger Side, 18TRAV
--	1	862402454	Bracket, Driver Side, 18 TRAV
1	1	862402455	Bracket, Passenger Side, 18TRAV
1	1	77700500-56	Trim Seal, 1/16 in Edge, 6 mm Bulb
1	1	8620006-01	Fuse Kit
4	8	7011246-06	Screw, #10 Type B, 6-Lobe, Black
--	2	228140	Grommet, Square, Split
1	--	228140-01	Grommet, Square, Plug

<b>2018 Ford Edge Kit Contents</b>			
SIFMP (Pass.) Qty.	SIFMS (SPLIT) Qty.	Part No.	Description
--	1	8624022351	Shroud Assembly, Driver Side, 18EDGE
1	1	8624022352	Shroud Assembly, Passenger Side, 18EDGE
--	1	8624022353	Cover, Driver Side, 18EDGE
1	1	8624022354	Cover, Passenger Side, 18EDGE
--	1	8624022355	Bracket, Driver Side, 18EDGE
1	1	8624022356	Bracket, Passenger Side, 18EDGE
1	1	77700500-56	Trim Seal, 1/16 in 18EDGE, 6 mm Bulb
1	1	8620006-01	Fuse Kit
4	8	7011246-06	Screw #10, Type B, 6-Lobe, Black
1	2	228140	Grommet, Square, Split

<b>2018 Expedition Kit Contents</b>			
SIFMP (Pass.) Qty.	SIFMS (SPLIT) Qty.	Part No.	Description
--	1	862402562	Shroud Assembly, Driver Side, 18EXPD
1	1	862402563	Shroud Assembly, Passenger Side, 18EXPD
--	1	862402304	Cover, Driver Side, 17F150
1	1	862402305	Cover, Passenger Side, 17F150
--	1	862402306	Bracket, Driver Side, 17F150
1	1	862402307	Bracket, Passenger Side, 17F150
1	1	77700500-56	Trim Seal, 1/16 Edge, 6 mm Bulb
1	1	8620006-01	Fuse Kit
4	8	7011246-06	Screw, #10 Type B, 6 Lobe, Black
1	1	228140	Grommet, Square, Split
--	1	228140-01	Grommet, Square, Plug

<b>2018 Camry Kit Contents</b>			
SIFMP (Pass.) Qty.	SIFMS (SPLIT) Qty.	Part No.	Description
--	1	862402639	Shroud Assembly, Driver Side, 18CMRY
1	1	862402640	Shroud Assembly, Passenger Side, 18CMRY
--	1	862402641	Cover, Driver Side, 18CMRY
1	1	862402642	Cover, Passenger Side, 18CMRY
--	1	862402643	Bracket, Driver Side, 18CMRY
1	1	862402644	Bracket, Passenger Side, 18CMRY
1	1	77700500-56	Trim Seal, 1/16 Edge, 6 mm Bulb
1	1	8620006-01	Fuse Kit
4	8	7011246-06	Screw, #10 Type B, 6 Lobe, Black
1	1	228140	Grommet, Square, Split
--	1	228140-01	Grommet, Square, Plug

## Mounting Instructions for the SpectraLux® SIFM ILS

2018 Highlander Kit Contents			
SIFMP (Pass.) Qty.	SIFMS (SPLIT) Qty.	Part No.	Description
--	1	862402628	Shroud Assembly, Driver Side, 18HLDR
1	1	862402629	Shroud Assembly, Passenger Side, 18HLDR
--	1	862402630	Cover, Driver Side, 18HLDR
1	1	862402631	Cover, Passenger Side, 18HLDR
--	1	862402632	Bracket, Driver Side, 18HLDR
1	1	862402633	Bracket, Passenger Side, 18HLDR
1	1	77700500-56	Trim Seal, 1/16 Edge, 6 mm Bulb
1	1	8620006-01	Fuse Kit
4	8	7011246-06	Screw, #10 Type B, 6 Lobe, Black
1	1	228140	Grommet, Square, Split
--	1	228140-01	Grommet, Square, Plug

2017 Equinox Kit Contents			
SIFMP (Pass.) Qty.	SIFMS (SPLIT) Qty.	Part No.	Description
--	1	862401699	Shroud Assembly, Driver Side, Universal
1	1	862401700	Shroud Assembly, Passenger-Side Universal
--	1	862402280	Cover, Driver Side, 17EQNX
1	1	862402281	Cover, Passenger Side, 17EQNX
--	1	862402248	Bracket, Driver Side, 17EQNX
1	1	862402249	Bracket, Passenger Side, 17EQNX
1	1	77700500-56	Trim Seal, 1/16 in Edge, 6 mm Bulb
1	1	8620006-01	Fuse Kit
4	8	7011246-06	Screw. #10, Type B, 6-Lobe, Black
1	2	228140	Grommet, Square, Split
2	4	228140-01	Shield, Side, Universal



<b>2017 Chevy Bolt Kit Contents</b>			
SIFMP (Pass.) Qty	SIFMS (SPLIT) Qty	Part No.	Description
--	1	862402336	Shroud Assembly, Driver Side, 17BOLT
1	1	862402337	Shroud Assembly, Passenger Side, 17F150
--	1	862402338	Cover, Driver Side, 17BOLT
1	1	862402339	Cover, Passenger Side, 17BOLT
--	1	862402340	Bracket, Driver Side, 17BOLT
1	1	862402341	Bracket, Passenger Side, 17BOLT
1	1	862402307	Bracket, Passenger Side, 17BOLT
4	2	77700500-56	Trim Seal, 1/16 in Edge, 6 mm Bulb
1	1	8620006-01	Fuse Kit
4	8	7011246-06	Screw #10, Type B, 6-Lobe, Black
--	2	228140	Grommet, Square, Split
1	--	228140-01	Grommet, Square, Plug

<b>2017 Chevy Express Van Kit Contents</b>			
SIFMP (Pass.) Qty.	SIFMS (SPLIT) Qty.	Part No.	Description
--	1	862402494	Shroud Assembly, Driver Side, 17EXPR
1	1	862402495	Shroud Assembly, Passenger Side, 17EXPR
--	1	862402496	Cover, Driver Side, 17EXPR
1	1	862402497	Cover, Passenger Side, 17EXPR
--	1	862402498	Bracket, Driver Side, 17EXPR
1	1	862402499	Bracket, Passenger Side, 17EXPR
4	2	77700500-56	Trim Seal, 1/16 in Edge, 6 mm Bulb
1	1	8620006-01	Fuse Kit
4	8	7011246-06	Screw #10, Type B, 6-Lobe, Black
2	4	71000983	Spacer, 0.19 in Inner Diameter x 0.38 in Outer Diameter x 1.25 in Long
2	4	200329	Screw. #10 x 2, Hex Washer Head, Type A
--	2	228140	Grommet, Square Split
1	--	228140-01	Grommet, Square, Plug

**Mounting Instructions for the SpectraLux® SIFM ILS**

<b>2017 Ford F150 Kit Contents</b>			
SIFMP (Pass.) Qty.	SIFMS (SPLIT) Qty.	Part No.	Description
--	1	862402302	Shroud Assembly, Driver Side, 17F150
1	1	862402303	Shroud Assembly, Passenger Side, 17F150
--	1	862402304	Cover, Driver Side, 17F150
1	1	862402305	Cover, Passenger Side, 17F150
--	1	862402306	Bracket, Driver Side, 17F150
1	1	862402307	Bracket, Passenger Side, 17F150
1	1	77700500-56	Trim Seal, 1/16 in Edge, 6 mm Bulb
1	1	8620006-01	Fuse Kit
4	8	7011246-06	Screw #10, Type B, 6-Lobe, Black

<b>2017 NYPD Command Kit Contents</b>			
SIFMP (Pass.) Qty	SIFMS (SPLIT) Qty.	Part No.	Description
--	1	862402543	Shroud Assembly, Driver Side, 17CMD
1	1	862402544	Shroud Assembly, Passenger Side, 17CMD
--	1	862402541	Cover, Driver Side, 17CMD
1	1	862402542	Cover, Passenger Side, 17CMD
1	1	77700500-56	Trim Seal, 1/16 Edge, 6 mm Bulb
1	1	8620006-01	Fuse Kit
6	12	7011246-06	Screw, #10 Type B, 6 Lobe, Black
4	8	7011183A-12	Screw, Hex Washer HD, SS, 1/4" Tab
1	3	228140	Grommet, Square, Split
1	1	228140-01	Grommet, Square, Plug

**Mounting Instructions for the SpectraLux® SIFM ILS**

<b>2016 Charger Kit Contents</b>			
SIFMP (Pass.) Qty.	SIFMS (SPLIT) Qty.	Part No.	Description
--	1	862401635	Shroud Assembly, Driver Side, 16CHGR
1	1	862401636	Shroud Assembly, Passenger Side, 16CHGR
--	1	862401637	Cover, Driver Side, 16CHGR
1	1	862401638	Cover, Passenger Side, 16CHGR
--	1	862401639	Bracket, Driver Side, 16CHGR
1	1	862401640	Bracket, Passenger Side, 16CHGR
1	1	77700500-56	Trim Seal, 1/16 in Edge, 6 mm Bulb
1	1	8620006-01	Fuse Kit
4	8	7011246-06	Screw, #10, Type B, 6-Lobe, Black
--	2	228140	Grommet, Square, Split
1	1	228140-01	Grommet, Square, Plug
		7011A69-16	Screw, #8, Type B, Phillips

<b>2016 Durango Kit Contents</b>			
SIFMP (Pass.) Qty.	SIFMS (SPLIT) Qty.	Part No.	Description
--	1	862401664	Shroud Assembly, Driver Side, 16DUR
1	1	862401665	Shroud Assembly, Passenger Side, 16DUR
--	1	862401666	Cover, Driver Side, 16DUR
1	1	862401667	Cover, Passenger Side, 16DUR
--	1	862401668	Bracket, Driver Side, 16DUR
1	1	862401669	Bracket, Passenger Side, 16DUR
1	1	77700500-56	Trim Seal, 1/16 in Edge, 6 mm Bulb
1	1	8620006-01	Fuse Kit
4	8	7011246-06	Screw #10, Type B, 6-Lobe, Black

## Mounting Instructions for the SpectraLux® SIFM ILS

---

2015 Tahoe Kit Contents			
SIFMP (Pass.) Qty.	SIFMS (SPLIT) Qty.	Part No.	Description
--	1	862401624	Shroud Assembly, Driver Side, 15TAH
1	1	862401625	Shroud Assembly, Passenger Side, 15TAH
--	1	862401626	Cover, Driver Side, 15TAH
1	1	862401627	Cover, Passenger Side, 15TAH
--	1	862401628	Bracket, Driver Side, 15TAH
1	1	862401629	Bracket, Passenger Side, 15TAH
1	1	77700500-56	Trim Seal, 1/16 in Edge, 6 mm Bulb
1	8	8620006-01	Fuse Kit
4	2	228140-01	Screw #10, Type B, 6-Lobe, Black
--	2	228140	Grommet, Square, Split
1	--	228140-01	Grommet, Square, Plug

### **Getting Technical Support**

For technical support, please contact:

Federal Signal Corporation  
Service Department  
Phone: 1-800-433-9132  
Email: empSERVICEinfo@fedSIG.com

### **Getting Repair Service**

The Federal Signal factory provides technical assistance with any problems that cannot be handled locally. Any units returned to Federal Signal for service, inspection, or repair must be accompanied by a Return Material Authorization (RMA). Obtain a RMA from a local Distributor or Manufacturer's Representative. Provide a brief explanation of the service requested, or the nature of the malfunction.

Address all communications and shipments to the following:

Federal Signal Corporation  
Service Department  
2645 Federal Signal Dr.  
University Park, IL 60484-3167

### **Ordering Replacement Parts**

To order replacement parts, call Customer Support at 1-800-264-3578, 7 am to 5 pm, Monday through Friday (CT) or contact your nearest distributor.

### **Limited Warranty**

This product is subject to and covered by a limited warranty, a copy of which can be found at [www.fedSIG.com/SSG-Warranty](http://www.fedSIG.com/SSG-Warranty). A copy of this limited warranty can also be obtained by written request to Federal Signal Corporation, 2645 Federal Signal Drive, University Park, IL 60484, email to [info@fedSIG.com](mailto:info@fedSIG.com) or call +1 708-534-3400.

This limited warranty is in lieu of all other warranties, express or implied, contractual or statutory, including, but not limited to the warranty of merchantability, warranty of fitness for a particular purpose and any warranty against failure of its essential purpose.



**FEDERAL SIGNAL**  
Safety and Security Systems

2645 Federal Signal Drive  
University Park, Illinois 60484-3167

[www.fedsig.com](http://www.fedsig.com)

Customer Support

Police/Fire-EMS: 800-264-3578 • +1 708 534-3400

Work Truck: 800-824-0254 • +1 708 534-3400

Technical Support: 800-433-9132 • +1 708 534-3400

© Copyright 2019-2022 Federal Signal Corporation  
All product names or trademarks are properties of their respective owners.