

25500198 Rev B10 0521

Safety Message to Installers of Warning Light Equipment

▲ WARNING

People's lives depend on your proper installation and servicing of Federal Signal products. It is important to read and follow all instructions shipped with this product and the original product. Listed below are some other important safety instructions and precautions you should follow.

- To properly install the lighting system, you must have a good understanding of automotive systems, along with proficiency in the installation and use of safety warning equipment.
- Do not install equipment or route wiring in the deployment path of an airbag.
- If a vehicle seat is temporarily removed, verify with the vehicle manufacturer if the seat needs to be recalibrated for proper airbag deployment.
- When drilling into a vehicle structure, be sure that both sides of the surface are clear of anything that could be damaged.
- Do not stare directly into the lights at a close range, or permanent damage to your eyesight may occur.
- Frequently inspect the light system to ensure that it is operating properly and that it is securely attached to the vehicle.
- Refer to the instructions packed with related products for additional precautions and information.
- File these instructions in a safe place and refer to them when maintaining and/or reinstalling the product.

Failure to follow all safety precautions and instructions may result in property damage, serious injury, or death.

Introduction

This publication covers the installation of a Federal Signal SIFZ Spectralux™ ILS warning light system in the front headliner of various vehicles. The mounting options are configured with the product. All mounting systems consist of aluminum shrouds and steel mounting brackets, all of which are powder coated. Mounting hardware is included with each kit.

Unpacking the Kit

For a parts list for your application, see the tables starting on page 7. After unpacking the kit, inspect it for damage that may have occurred in transit. If it has been damaged, do not attempt to install or operate it. File a claim immediately with the carrier, stating the extent of the damage. Carefully check all envelopes, shipping labels, and tags before removing or destroying them. Ensure that the parts in the Kit Contents List are included in the package. If you are missing any parts, contact Customer Support at 1-800-264-3578, 7 a.m. to 5 p.m., Monday through Friday (CT).

Installing the SIFZ ILS Light Bar

⚠ WARNING

AIRBAG DEPLOYMENT: Do not install equipment or route wiring in the deployment path of an airbag. Failure to observe this warning will reduce the effectiveness of the airbag or potentially dislodge the equipment, causing serious injury or death.

NOTICE

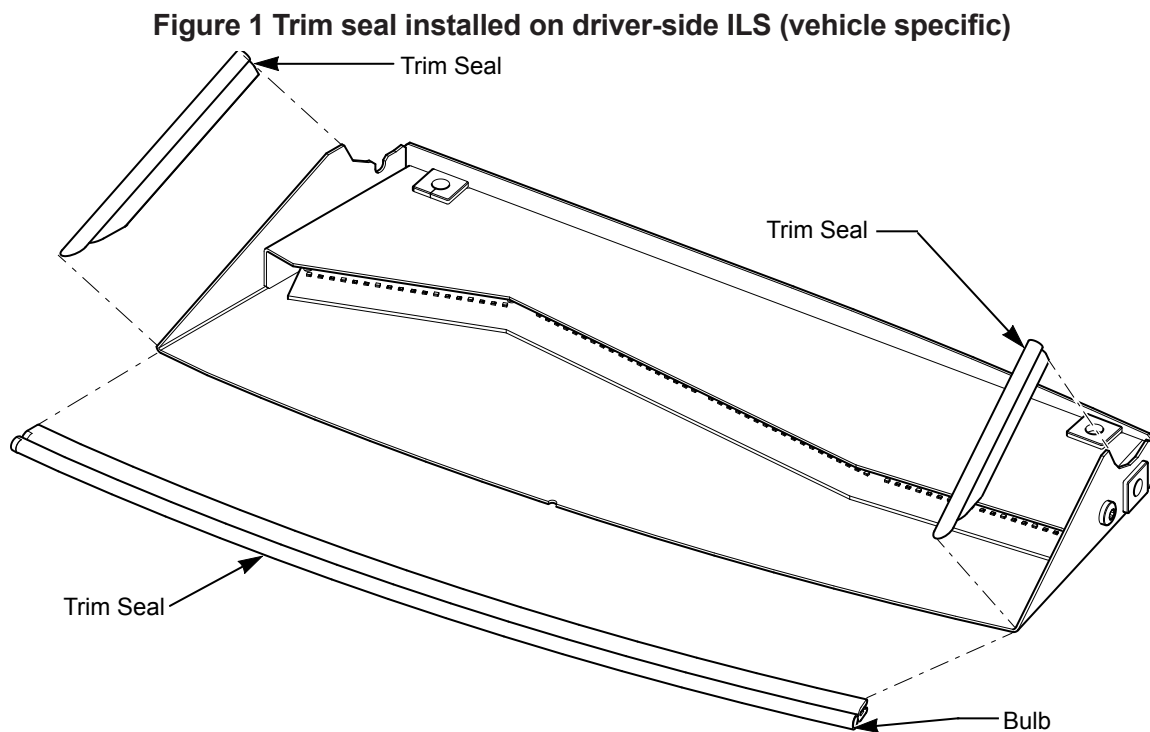
DRILLING PRECAUTION: When drilling holes, check the area you are drilling into to be sure you do not damage vehicle components. All drilled holes should be deburred, and all sharp edges should be smoothed. All wire routings going through drilled holes should be protected by a grommet or convolute/split loom tubing.

IMPORTANT: Plan all cable routing before the installation. For wiring instructions, refer to instruction sheet 25500195.

To mount a vehicle-specific ILS light bar:

NOTE: The brackets shown will vary with the application.

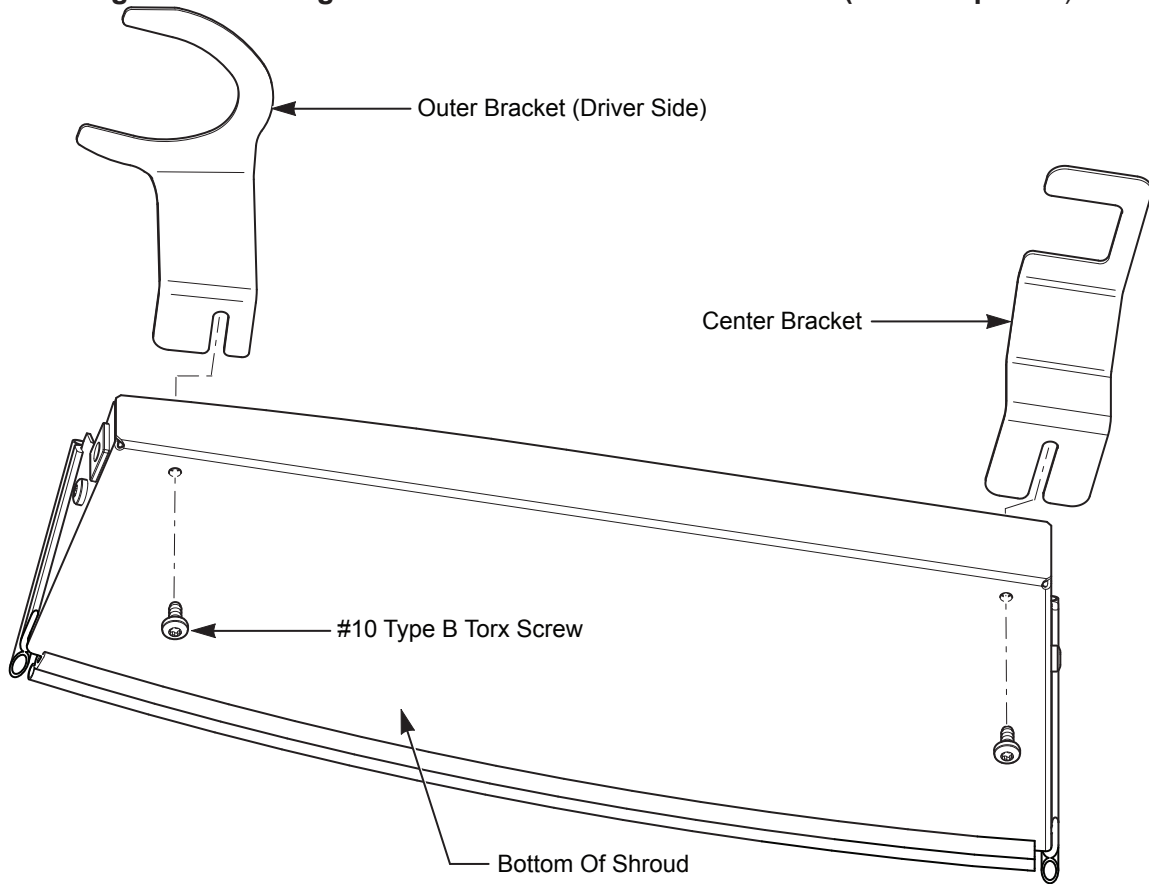
1. Install the trim seal on the edges of the shroud(s) that contact the windshield. Cut the strip to fit. See Figure 1.



2. Start the #10 screws into the bottom of the shroud. Leave a clearance gap so the brackets can slide on. See Figure 2.

NOTE: Some models use a one-piece bracket. See the kit contents lists starting on page 7. The Charger and Ram use the supplied #8 x 1-inch pan head Phillips screw on the center visor clip.

Figure 2 Mounting brackets installed on driver-side ILS (vehicle specific)



Mounting Instructions for the SIFZ Spectralux ILS

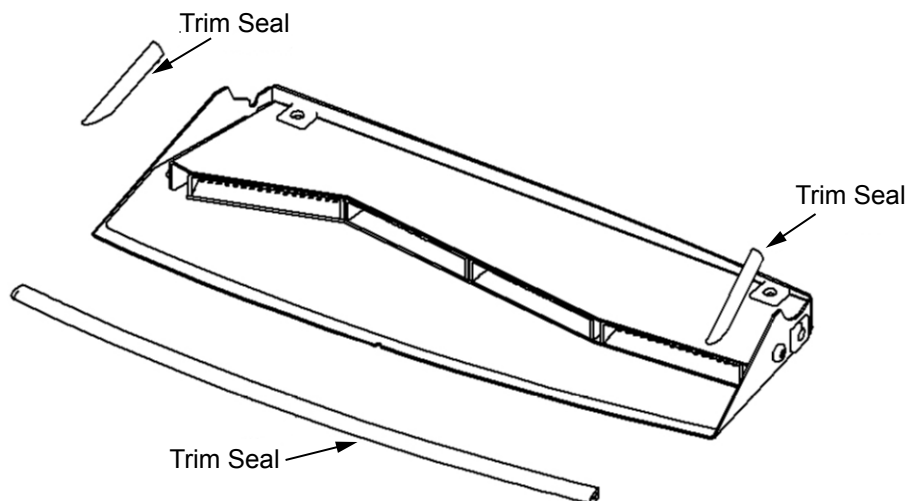
NOTE: For the 2020 Ford Police Interceptor Utility, to ensure proper fit, the bracket must be positioned at the REAR half of the outer visor pivots. See Figure 3.

Figure 3 Position of 2020 Ford Police Interceptor Utility



3. Following the manufacturer's service procedure, loosen the sun visor pivots and loosen or remove the sun visor clip(s).
4. Slide the outer brackets on the back of the sun visor pivot(s).
5. Slide the center brackets on the back of the sun visor clip(s).
6. Slide the shroud into the brackets.
7. Ensure that the shroud is tight against the windshield and headliner. The sealing strip may require additional trimming. The SIFZ ILS usually fits most tightly if the bulb on the angled-side trim is split lengthwise, near the pinch welt. In some cases, the bulb may be removed completely. See Figure 4.

Figure 4 Trim seal with bulb removed, installed on driver side ILS (vehicle specific)



8. Tighten all hardware. **Do not overtighten.**

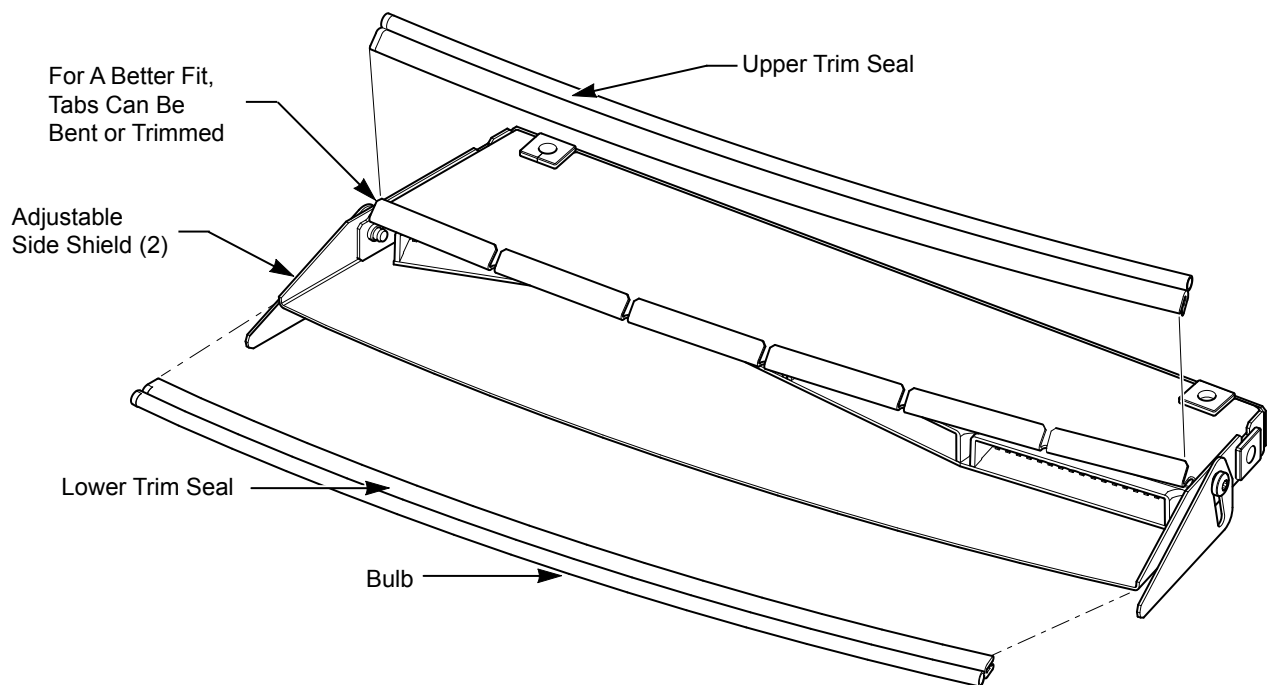
Installing the Universal SIFZ ILS Light Bar

NOTE: The steps outlined below are general in nature. Your installation may vary. The brackets supplied with the Universal kit can be bent, cut, drilled, or modified as needed for installation. If a tight fit to the windshield is unobtainable with the 6 mm bulb trim seal, you can purchase a trim seal with a 1-3/4-inch flap separately (77700418-56). This longer flap can be trimmed to fit.

To mount a universal SIFZ ILS light bar:

1. Install the trim seal on the upper and lower edges of the shroud(s) that contact the windshield. See Figure 5.

Figure 5 Trim seals installed on driver side ILS (Universal)

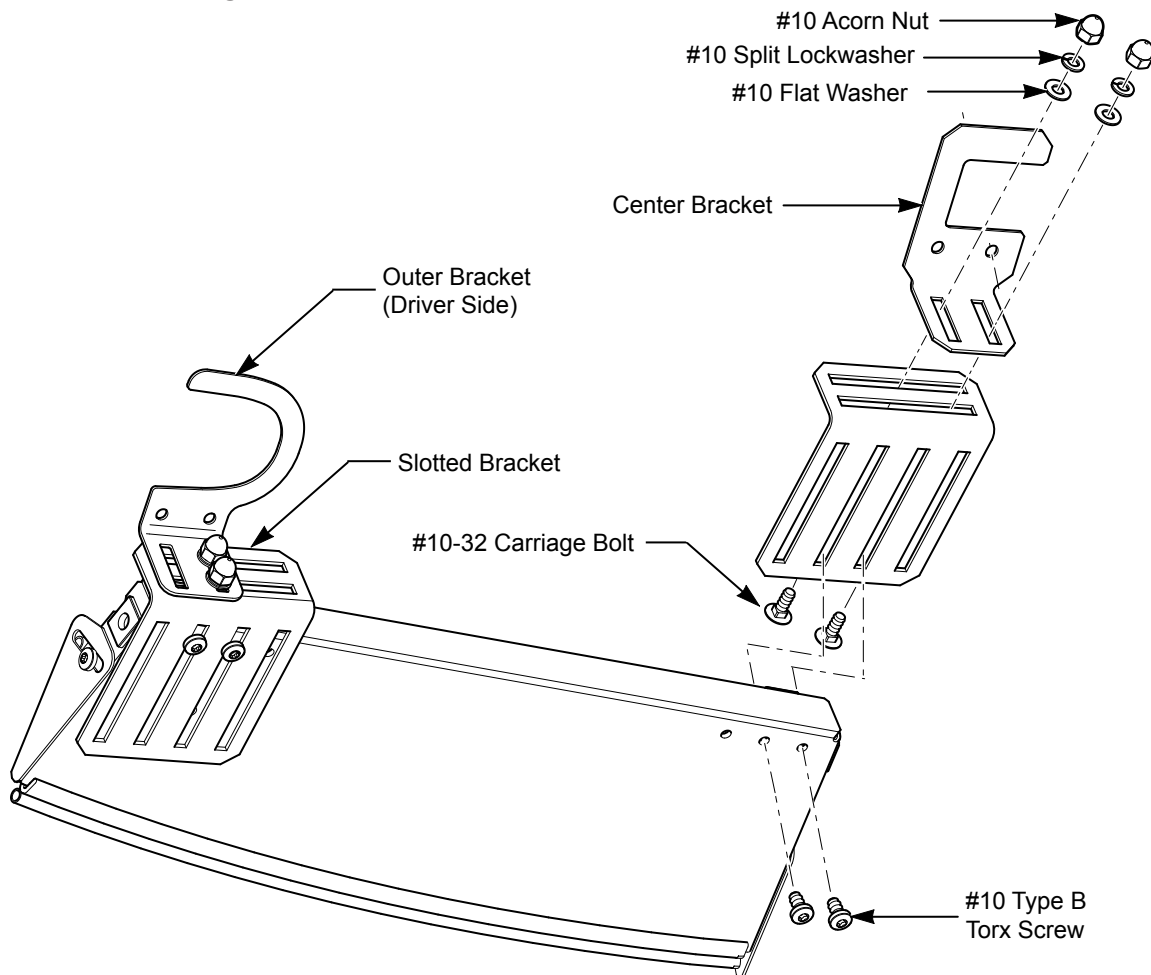


2. Loosen the screws securing the side shields so the shields do not interfere with the windshield at this time.
3. Following the manufacturer's service procedure, loosen the sun visor(s) and the sun visor clip(s). Remove only if necessary.
4. Slide the outer brackets on the back of the sun visor pivot(s).
5. Slide the inner brackets on the back of the sun visor clip(s).
6. Determine the optimum combination of slots and holes in the shroud to locate the ILS left-to-right. Start the #10 screws through each slotted bracket into the shroud.
7. Attach the slotted brackets to inner and outer brackets with the #10-32 carriage bolts, nuts, locks, and washers.

Mounting Instructions for the SIFZ Spectralux ILS

8. Ensure that the shroud is tight against the windshield. The sealing strip may require additional trimming. In some cases, the bulb may be removed completely. The tabs on the upper shroud can be bent or trimmed to improve the fit.
9. Adjust all bracket positions as needed, and then tighten all mounting hardware. **Do not overtighten.**
10. Slide the side shields up to the windshield and tighten the screws.

Figure 6 Brackets installed on driver-side ILS (Universal)



Kit Contents Lists

For the contents of the kit specific to your vehicle or application, see the following tables.

Kit Contents: Universal				
SIFZD (Drvr.) Qty.	SIFZP (Pass.) Qty.	SIFZS (Split) Qty.	Part No.	Description
4	8	8	70100487-08	#10-32 Stainless Steel Carriage Bolt
6	6	12	7011246-06	#10 Stainless Steel Type B Pan Head Torx Screw
4	4	8	70500506	#10-32 Stainless Steel Acorn Nut
4	4	8	7072A015	#10 Stainless Steel Flat Washer
4	4	8	7074A010	#10 Screw Stainless Steel Split Lockwasher
1	1	1	77700500-56	1/16-inch Edge 6 mm Bulb Trim Seal
1	1	1	8620006-01	Fuse Kit
1	--	1	862401202	Driver Side Universal Shroud Assembly
--	1	1	862401203	Passenger Side Universal Shroud Assembly
1	--	1	862401204	Driver Side Universal Upper Shroud
SIFZD (Drvr.) Qty.	SIFZP (Pass.) Qty.	SIFZS (Split) Qty.	Part No.	Description
--	1	1	862401205	Passenger Side Universal Upper Shroud
2	2	4	862401206	Universal Side Shield
2	2	4	862401207	Universal Slotted Bracket
1	--	1	862401208	Driver Side Universal Center Bracket
--	1	1	862401209	Passenger Side Universal Center Bracket
1	--	1	862401210	Driver Side Universal Outer Bracket
--	1	1	862401211	Passenger Side Universal Outer Bracket

Kit Contents: 15 Tahoe				
SIFZD (Drvr.) Qty.	SIFZP (Pass.) Qty.	SIFZS (Split) Qty.	Part No.	Description
4	4	8	7011246-06	#10 Stainless Steel Type B Pan Head Torx Screw
1	1	1	77700500-56	1/16-inch Edge 6 mm Bulb Trim Seal
1	1	1	8620006-01	Fuse Kit
1	--	1	862401150	15TAH Driver Side Shroud Assembly
--	1	1	862401151	15 TAH Passenger Side Shroud Assembly
1	--	1	862401132	Driver Side Upper Shroud
--	1	1	862401133	Passenger Side Upper Shroud
1	--	1	862402285	15TAH Driver Side Bracket
--	1	1	862402286	15TAH Passenger Side Bracket

Mounting Instructions for the SIFZ Spectralux ILS

Kit Contents: 21TAH			
SIFZP (SPLIT) Qty.	SIFZS (SPLIT) Qty.	Part No.	Description
1	1	228140-01	Plug Square Grommet
1	3	228140	Split Square Grommet
4	8	7011246-06	Type B #10 6-Lobe Black Screw
1	1	8620006-01	Fuse Kit
1	1	77700500-56	6 mm Bulb 1/16-inch Edge Trim Seal
--	1	862403755	21TAH Driver Side Shroud Assembly
1	1	862403756	21TAH Passenger Side Shroud Assembly
--	1	862403757	21TAH Driver Side Cover
1	1	862403758	21TAH Passenger Side Cover
--	1	862403759	21TAH Driver Side Bracket
1	1	862403760	21TAH Passenger Side Bracket

Kit Contents: 13 Interceptor Utility				
SIFZD (Drvr.) Qty.	SIFZP (Pass.) Qty.	SIFZS (Split) Qty.	Part No.	Description
4	4	8	7011246-06	#10 Stainless Steel Type B Pan Head Torx Screw
1	1	1	77700500-56	1/16-inch Edge 6 mm Bulb Trim Seal
1	1	1	8620006-01	Fuse Kit
1	--	1	862401127	13FPIU Driver Side Shroud Assembly
--	1	1	862401128	13FPIU Passenger Side Shroud Assembly
1	--	1	862401132	Driver Side Upper Shroud
--	1	1	862401133	Passenger Side Upper Shroud
1	--	1	862401880	13FPIU Driver Side Bracket
--	1	1	862401881	13FPIU Passenger Side Bracket

Kit Contents: 13 Interceptor Sedan				
SIFZD (Drvr.) Qty.	SIFZP (Pass.) Qty.	SIFZS (Split) Qty.	Part No.	Description
4	4	8	7011246-06	#10 Stainless Steel Type B Pan Head Torx Screw
1	1	1	77700500-56	1/16-inch Edge 6 mm Bulb Trim Seal
1	1	1	8620006-01	Fuse Kit
1	--	1	862401141	13FPIS Driver Side Shroud Assembly
--	1	1	862401142	13FPIS Passenger Side Shroud Assembly
1	--	1	862401132	Driver Side Upper Shroud
--	1	1	862401133	Passenger Side Upper Shroud
1	--	1	862401143	13FPIS Driver Side Center Bracket
--	1	1	862401144	13FPIS Passenger Side Center Bracket
1	--	1	862401145	13FPIS Driver Side Outer Bracket
--	1	1	862401146	13FPIS Passenger Side Outer Bracket

Mounting Instructions for the SIFZ Spectralux ILS

Kit Contents: 16RAM				
SIFZD (Drvr.) Qty.	SIFZP (Pass.) Qty.	SIFZS (Split) Qty.	Part No.	Description
1	--	1	862401735	SIFZ ILS 16RAM Driver Side Shroud Assembly
--	1	1	862401736	SIFZ ILS 16RAM Passenger Side Shroud Assembly
1	--	1	862401132	Driver Side Upper Shroud
--	1	1	862401133	Passenger Side Upper Shroud
1	--	1	862401737	SIFZ ILS 16RAM Driver Side Center Bracket
--	1	1	862401738	SIFZ ILS 16RAM Passenger Side Center Bracket
1	--	1	862401739	SIFZ ILS 16RAM Driver Side Outer Bracket
--	1	1	862401740	SIFZ ILS 16RAM Passenger Side Outer Bracket
1	1	1	77700500-56	1/16-inch Edge 6 mm Bulb Trim Seal
1	1	1	8620006-01	Fuse Kit
4	4	8	7011246-06	#10 Black 6-Lobe Type B Screw
1	1	2	7011A069-16	#8 Type B Phillips Screw

Kit Contents: 15 F150				
SIFZD (Drvr.) Qty.	SIFZP (Pass.) Qty.	SIFZS (Split) Qty.	Part No.	Description
4	4	4	7011246-06	#10 Stainless Steel Type B Pan Head Torx Screw
1	1	1	77700500-56	1/16-inch Edge 6 mm Bulb Trim Seal
1	1	1	8620006-01	Fuse Kit
1	--	1	862401475	15F150 Driver Side Shroud Assembly
--	1	1	862401479	15F150 Passenger Side Shroud Assembly
1	--	1	862403307	15F150 Driver Side Cover
--	1	1	862403308	15F150 Passenger Side Cover
1	--	1	862403173	SIFZ ILS 15F150 Driver Side Bracket
--	1	1	862403174	SIFZ ILS 15F150 Passenger Side Bracket

Kit Contents: 11 Charger				
SIFZD (SPLIT) Qty.	SIFZP (SPLIT) Qty.	SIFZS (SPLIT) Qty.	Part No.	Description
1	--	1	862401653	15CHGR ILS SIFZ Driver Side Shroud Assembly
--	1	1	862401654	15CHGR ILS SIFZ Passenger Side Shroud Assembly
1	--	1	862401655	15CHGR ILS SIFZ Driver Side Cover
--	1	1	862401656	15CHGR ILS SIFZ Passenger Side Cover
1	--	1	862401657	15CHGR ILS SIFZ Driver Side Bracket
--	1	1	862401658	15CHGR ILS SIFZ Passenger Side Bracket
1	1	1	77700500-56	1/16-inch Edge 6 mm Bulb Trim Seal
1	1	1	8620006-01	Fuse Kit
4	4	8	7011246-06	#10 Black 6-Lobe Type B Screw
--	--	2	228140	Square Split Grommet
1	1	--	228140-01	Square Grommet Plug
1	1	2	7011A069-16	#8 Type B Phillips Screw

Mounting Instructions for the SIFZ Spectralux ILS

Kit Contents: 19RAM 5TH Generation				
SIFZD (SPLIT) Qty.	SIFZP SPLIT) Qty.	SIFZS (SPLIT) Qty.	Part No.	Description
1	1	1	228140-01	Square Grommet Plug
1	1	3	228140	Square Split Grommet
4	4	8	7011246-06	#10 Black 6-Lobe Type B Screw
1	1	1	8620006-01	Fuse Kit
1	1	1	77700500-56	1/16-inch Edge 6 mm Bulb Trim Seal
1	--	1	862403159	19RAM 5th Gen Driver Side Shroud Assembly
--	1	1	862403160	19RAM 5th Gen Passenger Side Shroud Assembly
1	--	1	862403161	19RAM 5th Gen Driver Side Cover
--	1	1	862403162	19RAM 5th Gen Passenger Side Cover
1	--	1	862403163	19RAM 5th Gen Driver Side Bracket
--	1	1	862403164	19RAM 5th Gen Passenger Side Bracket

Kit Contents: 19SILV				
SIFZD (SPLIT) Qty.	SIFZP SPLIT) Qty.	SIFZS (SPLIT) Qty.	Part No.	Description
1	1	1	228140-01	Square Grommet Plug
1	1	3	228140	Square Split Grommet
4	4	8	7011246-06	#10 Black 6-Lobe Type B Screw
1	1	1	8620006-01	Fuse Kit
1	1	1	77700500-56	1/16-inch Edge 6 mm Bulb Trim Seal
1	--	1	862403285	19SILV Driver Side Shroud Assembly
--	1	1	862403286	19SILV Passenger Side Shroud Assembly
1	--	1	862403287	19SILV Driver Side Cover
--	1	1	862403288	19SILV Passenger Side Cover
1	--	1	862403289	19SILV Driver Side Bracket
--	1	1	862403290	19SILV Passenger Side Bracket

Kit Contents: 16COL				
SIFZD Split Qty.	SIFZP (Split) Qty.	SIFZS (Split) Qty.	Part No.	Description
4	4	8	7011246-06	#10 Black 6-Lobe Type B Screw
1	1	1	77700500-56	1/16-inch Edge 6 mm Bulb Trim Seal
1	1	1	8620006-01	Fuse Kit
1	--	1	862402089	16COL Driver Side Shroud Assembly
--	1	1	862402090	10COL Passenger Side Shroud Assembly
1	--	1	862401132	Driver Side Upper Shroud
--	1	1	862401133	Passenger Side Upper Shroud
1	--	1	862402091	16 COL Driver Side Center Bracket
--	1	1	862402092	16 COL Passenger Side Center Bracket
1	--	1	862402093	16 COL Driver Side Outer Bracket
--	1	1	862402094	16 COL Passenger Side Outer Bracket

Mounting Instructions for the SIFZ Spectralux ILS

Kit Contents: 20FPIU				
SIFZD Split Qty.	SIFZP (Split) Qty.	SIFZS (Split) Qty.	Part No.	Description
1	1	1	228140-01	Square Grommet Plug
1	1	3	228140	Square Split Grommet
4	4	8	7011246-06	#10 Black 6-Lobe Type B Screw
1	1	1	8620006-01	Fuse Kit
1	1	1	77700500-56	Trim Seal, 1/16-inch Edge, 6 mm Bulb
1	--	1	862403109	20FPIU Driver Side Shroud Assembly
--	1	1	862403110	20FPIU Passenger Side Shroud Assembly
1	--	1	862403111	20FPIU Driver Side Cover
--	1	1	862403112	20FPIU Passenger Side Cover
1	--	1	862403113	20FPIU Driver Side Bracket
--	1	1	862403114	20FPIU Passenger Side Bracket

Kit Contents: 11 Charger				
SIFZD (SPLIT) Qty.	SIFZP (SPLIT) Qty.	SIFZS (SPLIT) Qty.	Part No.	Description
1	--	1	862401653	15CHGR ILS SIFZ Driver Side Shroud Assembly
--	1	1	862401654	15CHGR ILS SIFZ Passenger Side Shroud Assembly
1	--	1	862401655	15CHGR ILS SIFZ Driver Side Cover
--	1	1	862401656	15CHGR ILS SIFZ Passenger Side Cover
1	--	1	862401657	15CHGR ILS SIFZ Driver Side Bracket
--	1	1	862401658	15CHGR ILS SIFZ Passenger Side Bracket
1	1	1	77700500-56	1/16-inch Edge 6 mm Bulb Trim Seal
1	1	1	8620006-01	Fuse Kit
4	4	8	7011246-06	#10 Black 6-Lobe Type B Screw
--	--	2	228140	Square Split Grommet
1	1	--	228140-01	Square Grommet Plug
1	1	2	7011A069-16	#8 Type B Phillips Screw

Getting Technical Support and Service

For technical support and service, please contact:

Service Department
 Federal Signal Corporation
 Phone: 1-800-433-9132
 Email: empserviceinfo@fedsig.com
www.fedsig.com

Getting Repair Service

The Federal Signal factory provides technical assistance with any problems that cannot be handled locally.

Any units returned to Federal Signal for service, inspection, or repair must be accompanied by a Return Material Authorization (RMA). Obtain a RMA from a local Distributor or Manufacturer's Representative.

Provide a brief explanation of the service requested, or the nature of the malfunction.

Address all communications and shipments to the following:

Federal Signal Corporation
Service Department
2645 Federal Signal Drive
University Park, IL 60484-3167

Ordering Replacement Parts

To order replacement parts, call Customer Support at 1-800-264-3578, 7 a.m. to 5 p.m., Monday through Friday (CT) or contact your nearest distributor.

Limited Warranty

This product is subject to and covered by a limited warranty, a copy of which can be found at www.fedsig.com/SSG-Warranty. A copy of this limited warranty can also be obtained by written request to Federal Signal Corporation, 2645 Federal Signal Drive, University Park, IL 60484, email to info@fedsig.com or call +1 708-534-3400.

This limited warranty is in lieu of all other warranties, express or implied, contractual or statutory, including, but not limited to the warranty of merchantability, warranty of fitness for a particular purpose and any warranty against failure of its essential purpose.



FEDERAL SIGNAL
Safety and Security Systems

2645 Federal Signal Drive
University Park, Illinois 60484-3167

www.fedsig.com

Customer Support

Police/Fire-EMS: 800-264-3578 • +1 708 534-3400

Work Truck: 800-824-0254 • +1 708 534-3400

Technical Support: 800-433-9132 • +1 708 534-3400

© Copyright 2019-2021 Federal Signal Corporation

All product names or trademarks are properties of their respective owners.