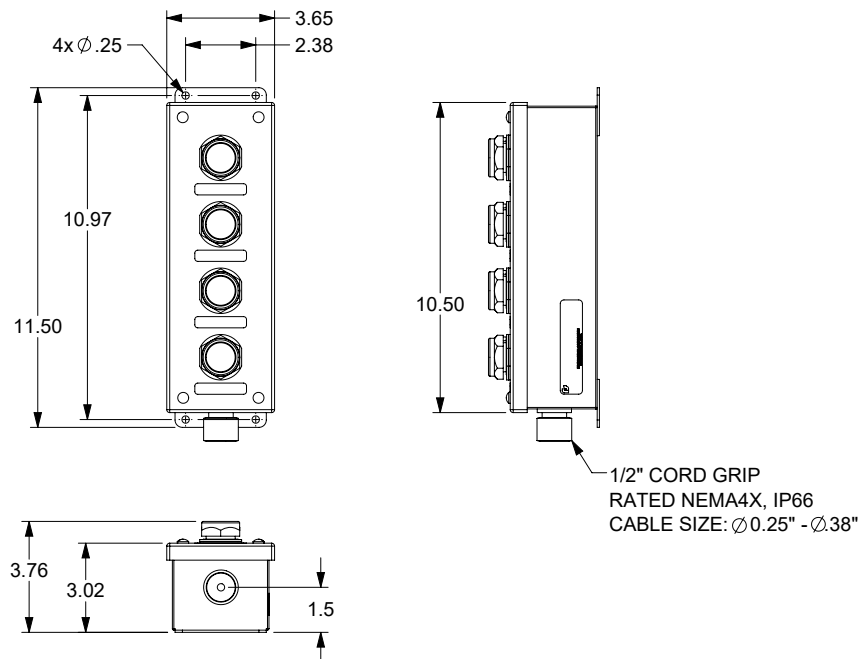




► Model PBS-4

Pushbutton Station

The Federal Signal PBS-4 is a 4 pushbutton station for local activation of ancillary equipment. The PBS-4 is equipped with 4 30MM momentary pushbuttons. Cable entry is via a 1/2" cord grip. The PBS-4 can be used to activate inputs on the FC controller, UV controller and IP products.



S P E C I F I C A T I O N S

- Contact: 1 normally open per switch
- AC Rating: 3A, 240 VAC
- DC Rating: .55A, 125 V
- Wire Range: 12-24 AWG
- Weight: 3.95 lb (1.79 kg)