

2562543 Rev. A1 0620

## Safety Message to Installers of Federal Signal Warning Light Systems

### **▲ WARNING**

People's lives depend on your proper installation and servicing of Federal Signal products. It is important to read and follow all instructions shipped with this product and the original product. Listed below are some other important safety instructions and precautions you should follow.

- To properly install a light assembly, you must have a good understanding of automotive electrical procedures and systems, along with proficiency in the installation and use of safety warning equipment.
- Do not install equipment or route wiring in the deployment path of an airbag. Failure to observe this warning will reduce the effectiveness of the airbag or potentially dislodge the equipment, causing serious injury.
- If a vehicle seat is temporarily removed, verify with the vehicle manufacturer if the seat needs to be recalibrated for proper airbag deployment.
- This product contains high intensity LED devices. To prevent permanent eye damage, DO NOT stare into the light beam at close range.
- Always refer to the vehicle service manuals when performing equipment installations on a vehicle.
- Never attempt to install aftermarket equipment that connects to the vehicle wiring without reviewing a vehicle wiring diagram available from the vehicle manufacturer. Ensure that your installation will not affect vehicle operation or mandated safety functions or circuits. Always check the vehicle for proper operation after installation.
- When drilling into a vehicle structure, ensure that both sides of the surface are clear of anything that could be damaged.
- A light system is a high current device. In order for it to function properly, a separate ground connection must be made. If practical, it should be connected to the negative battery terminal. At a minimum, it may be attached to a solid metal body or chassis part that will provide an effective ground path as long as the light system is to be used.
- Locate the light system controls so the VEHICLE and CONTROLS can be operated safely under all driving conditions.
- Do not attempt to activate or deactivate the light control while driving in a hazardous situation.
- For additional precautions and information, refer to the instructions packed with related products.
- Frequently inspect the light system to ensure that it is operating properly and that it is securely attached to the vehicle.
- File these instructions in a safe place and refer to them when maintaining or reinstalling the product.

Failure to follow all safety precautions and instructions may result in property damage, serious injury, or death.

## Introduction

This publication provides supplemental instructions for installing the Vision SLR light bar with Standalone SignalMaster to a vehicle.

## Unpacking the Kit

After unpacking the kit, inspect it for damage that may have occurred in transit. If it has been damaged, file a claim immediately with the carrier stating the extent of the damage. Carefully check all envelopes, shipping labels, and tags before removing or destroying them. Ensure that the parts shown in Table 1 are contained in the packing carton. If you are missing any parts, contact Customer Support at 1-800-264-3578, 7 a.m. to 5 p.m., Monday through Friday (CT). An installer-supplied control head for controlling the functions of the light bar is also required.

Table 1 Kit contents

Qty.	Description	Part No.
1	Eight-Position Female Connector	140325-06
1	Eight-Position Male Connector	140333-08
2	Mounting Bracket	8652180
4	#10 Type B Pan Head Torx® Black Stainless Steel Screw	7011246-06
2	1/4-20 Stainless Steel Keps® Nuts	7058050

## Mounting the SignalMaster

### **⚠ WARNING**

**LOCATING OPERATOR CONTROLS:** *Locate the light system controls so the vehicle and controls can be operated safely under all driving conditions. Failure to heed this warning could result in driver distraction or driver error while operating the vehicle.*

### **⚠ WARNING**

**ROOF SUPPORT STRUCTURE:** *There is a roof support member that spans the distance between the driver and passenger side. DO NOT DRILL THROUGH THIS MEMBER! Adjust any hole locations until the holes can be drilled without going through this member. Failure to follow this warning will weaken the roof of the vehicle and may lead to an increased chance of bodily injury or death in a rollover accident.*

### **NOTICE**

**SIGNALMASTER ORIENTATION:** *The SignalMaster light bar must be oriented correctly for proper operation. The assembly should be installed with the ROC board on top.*

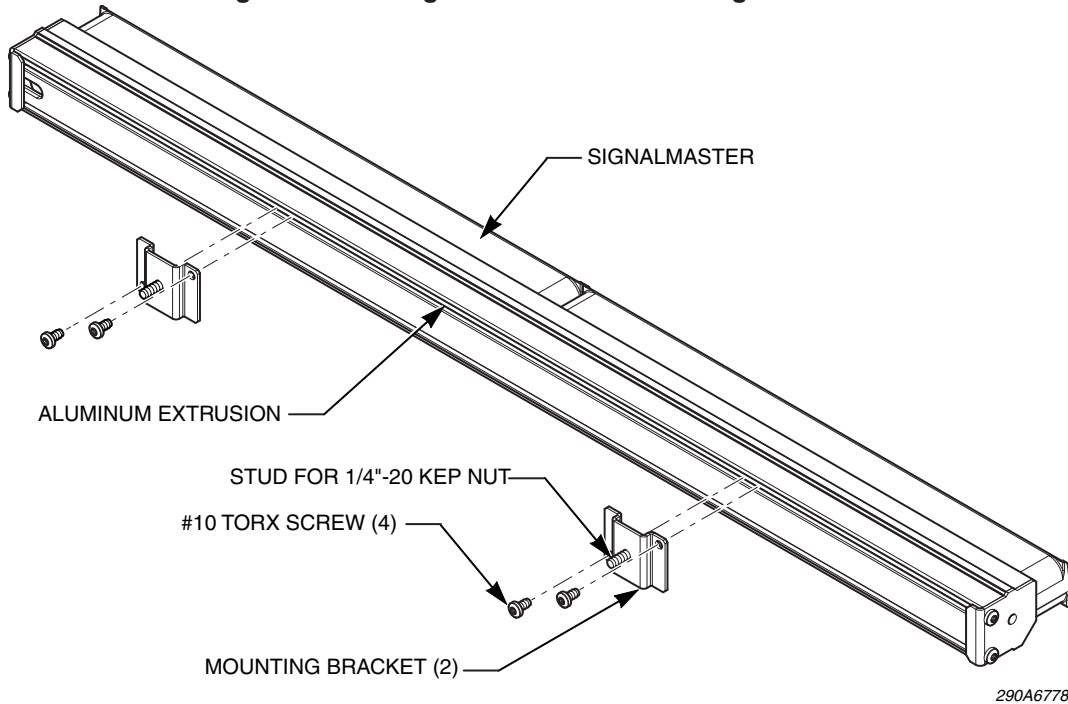
**IMPORTANT:** Plan all cable routing before completing the installation. Plan the location of the wire routing hole so that the cable does not have tight bends.

To mount the SignalMaster:

1. Determine the desired distance between the mounting holes and attach the mounting brackets to the SignalMaster with the #10 Torx screws.
2. Mark the positions of the two mounting holes and the hole for the cable.
3. Drill two mounting holes 0.257 inch to 0.265 inch in diameter and a hole 0.375 inch in diameter for the cable.

- Secure the SignalMaster to the vehicle with the 1/4-20 Keps® nuts.

Figure 1 Mounting brackets attached to SignalMaster



### Connecting the 8-Position Connectors

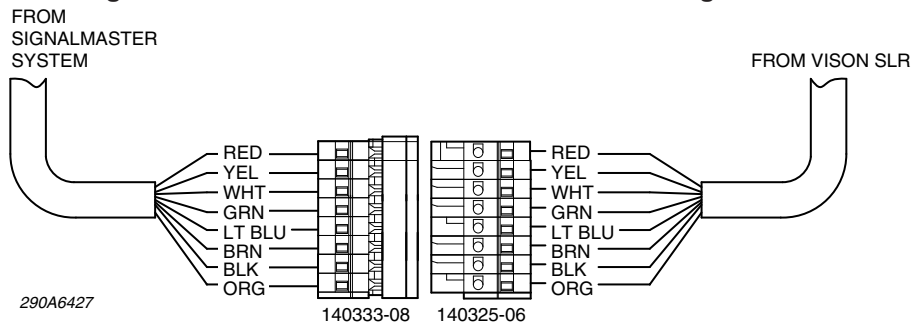
**NOTICE**

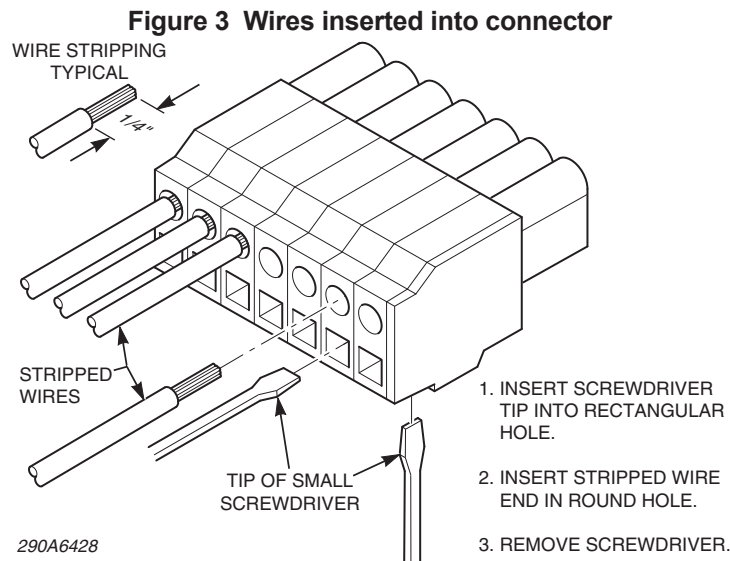
**CONNECTOR PRECAUTION:** The eight-position connector is not waterproof. Before cutting the SignalMaster cable, determine the cable lengths required to ensure that the cable connector is located in a dry location inside the vehicle.

To electrically connect the SignalMaster to the Vision SLR:

- Cut the SignalMaster cable to length and route it to the chosen connection point.
- Strip and connect the eight SignalMaster control wires as shown in Figures 2 and 3. Keep the pairs twisted together, separating them just enough to insert the ends into the connector.

Figure 2 Connections between Vision SLR and SignalMaster





3. Ensure that each SignalMaster control wire is in the proper position. Connect the eight-position connectors together, and apply pressure until they lock.
4. After installation, test the light system to ensure that it is operating properly.
5. Test all vehicle functions, including horn operation, vehicle safety functions, and vehicle light systems, to ensure proper operation. Ensure that the installation has not affected the vehicle operation or changed any vehicle safety function or circuit.

## **Safety Message to Installers of Federal Signal Warning Light Systems**

### **⚠ WARNING**

The lives of people depend on your safe operation of Federal Signal Products. It is important to read and follow all instructions shipped with the products. In addition, listed below are some other important safety instructions and precautions you should follow:

- Although your warning system is operating properly, it may not be completely effective. People may not see or heed your warning signal. You must recognize this fact and continue driving cautiously.
- Situations may occur which obstruct your warning signal when natural or man-made objects are between your vehicle and others, such as: raising your hood or trunk lid. If these situations occur, be especially careful.
- This product contains high intensity LED devices. To prevent eye damage, DO NOT stare into the light beam at close range.
- At the start of your shift, you should ensure that the light is securely attached and operating properly.

**RETAIN AND REFER TO THIS MESSAGE**

### **Ordering Replacement Parts**

To order replacement parts, please contact your local dealer/distributor or:

Customer Support  
Federal Signal Corporation  
Phone: 1-800-264-3578  
7 a.m. to 5 p.m., Monday through Friday (CT)

### **Getting Technical Support**

For technical support, please contact:

Federal Signal Corporation  
Service Department  
Phone: 1-800-433-9132  
Fax: 1-800-343-9706  
Email: [empserviceinfo@fedsig.com](mailto:empserviceinfo@fedsig.com)

### **Getting Repair Service**

The Federal Signal factory provides technical assistance with any problems that cannot be handled locally. Any product returned to Federal Signal for service, inspection, or repair must be accompanied by a Return Material Authorization (RMA). Obtain a RMA from a local Distributor or Manufacturer's Representative. Provide a brief explanation of the service requested, or the nature of the malfunction.

Address all communications and shipments to the following:

Federal Signal Corporation  
Service Department  
2645 Federal Signal Dr.  
University Park, IL 60484-3167

## **Limited Warranty**

This product is subject to and covered by a limited warranty, a copy of which can be found at [www.fedsig.com/SSG-Warranty](http://www.fedsig.com/SSG-Warranty). A copy of this limited warranty can also be obtained by written request to Federal Signal Corporation, 2645 Federal Signal Drive, University Park, IL 60484, email to [info@fedsig.com](mailto:info@fedsig.com) or call +1 708-534-3400.

This limited warranty is in lieu of all other warranties, express or implied, contractual or statutory, including, but not limited to the warranty of merchantability, warranty of fitness for a particular purpose and any warranty against failure of its essential purpose.



**FEDERAL SIGNAL**  
Safety and Security Systems

2645 Federal Signal Drive  
University Park, Illinois 60484-3167

[www.fedsig.com](http://www.fedsig.com)

Customer Support

Police/Fire-EMS: 800-264-3578 • +1 708 534-3400

Work Truck: 800-824-0254 • +1 708 534-3400

Technical Support: 800-433-9132 • +1 708 534-3400

© Copyright 2014-2020 Federal Signal Corporation

All product names or trademarks are property of their respective owners.